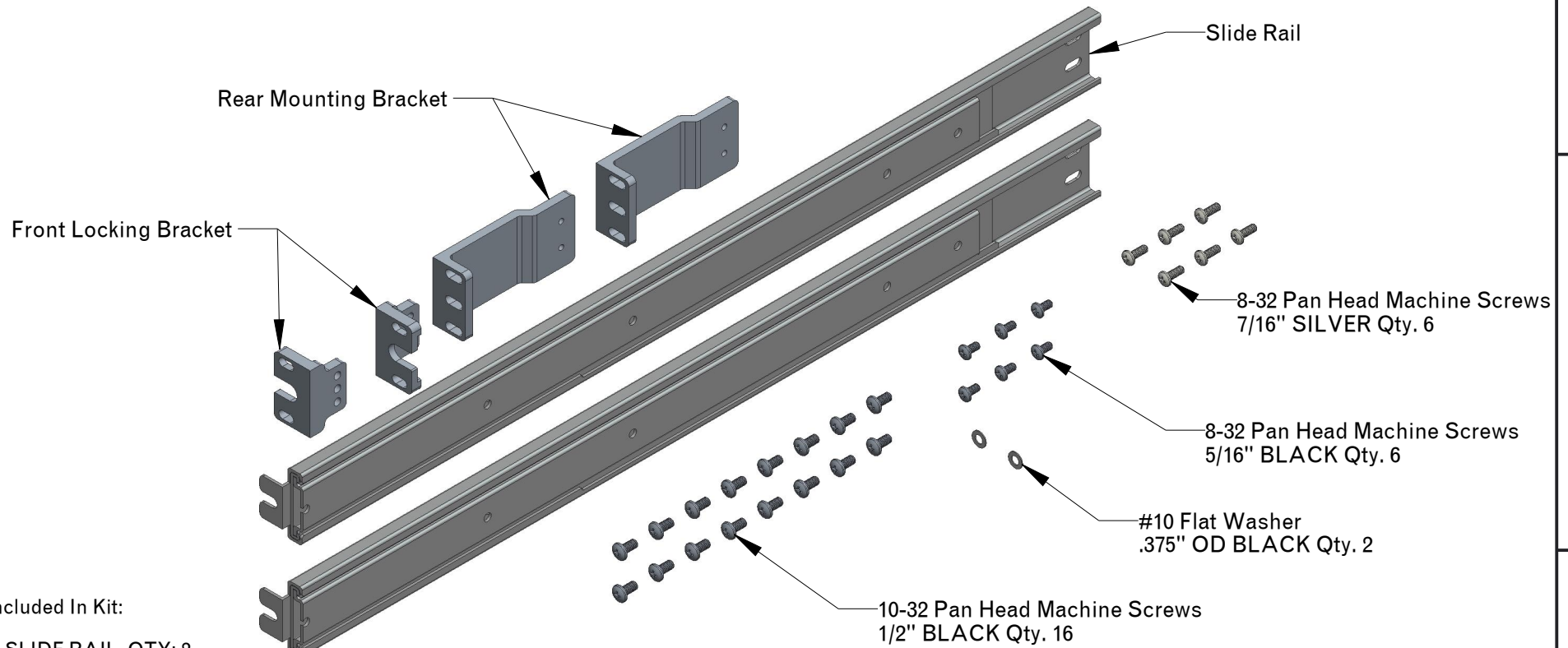


Kit Contents

REVISIONS

REV	DESCRIPTION	DATE	APPROVED
A	PRODUCTION RELEASE PER ECO 17-22938	10/6/17	DS



Included In Kit:

1. SLIDE RAIL, QTY: 2
2. REAR MOUNTING BRACKET, QTY: 2
3. FRONT LOCKING BRACKET, QTY: 2
4. 18-8 SS PAN HEAD PHILIPS MACHINE SCREW 8-32 THREAD, 5/16" LENGTH, BLACK OXIDE FINISH QTY: 6
5. 18-8 SS PAN HEAD PHILIPS MACHINE SCREW 8-32 THREAD, 7/16" LENGTH, PLAIN FINISH QTY: 6
6. 18-8 SS PAN HEAD PHILIPS MACHINE SCREW 10-32 THREAD, 1/2" LENGTH, BLACK OXIDE FINISH, QTY: 16
7. 18-8 SS #10 FLAT WASHER, 0.375" OD, BLACK OXIDE FINISH, QTY: 2
8. REFERENCE SYNQOR SPECIFICATIONS: 554-1000010 554-1000008 & 554-1000020
9. WEIGHT: 5.6 lbs (2.54 kg)

TOLERANCES:

Unless otherwise specified:
 All dimensions in inches
 .X +/- .025
 .XX +/- .010
 .XXX +/- .005
 Angles +/- 1°

THIRD ANGLE PROJECTION



THIS DRAWING IS THE PROPERTY OF SYNQOR INC. It is not to be reproduced or copied, in whole or in part, or used for furnishing information to others, or for any purpose detrimental to the interests of SynQor. The information shown herein may be protected by patents owned or controlled by SynQor.

SynQor

155 Swanson Road
 Boxborough, MA 01719

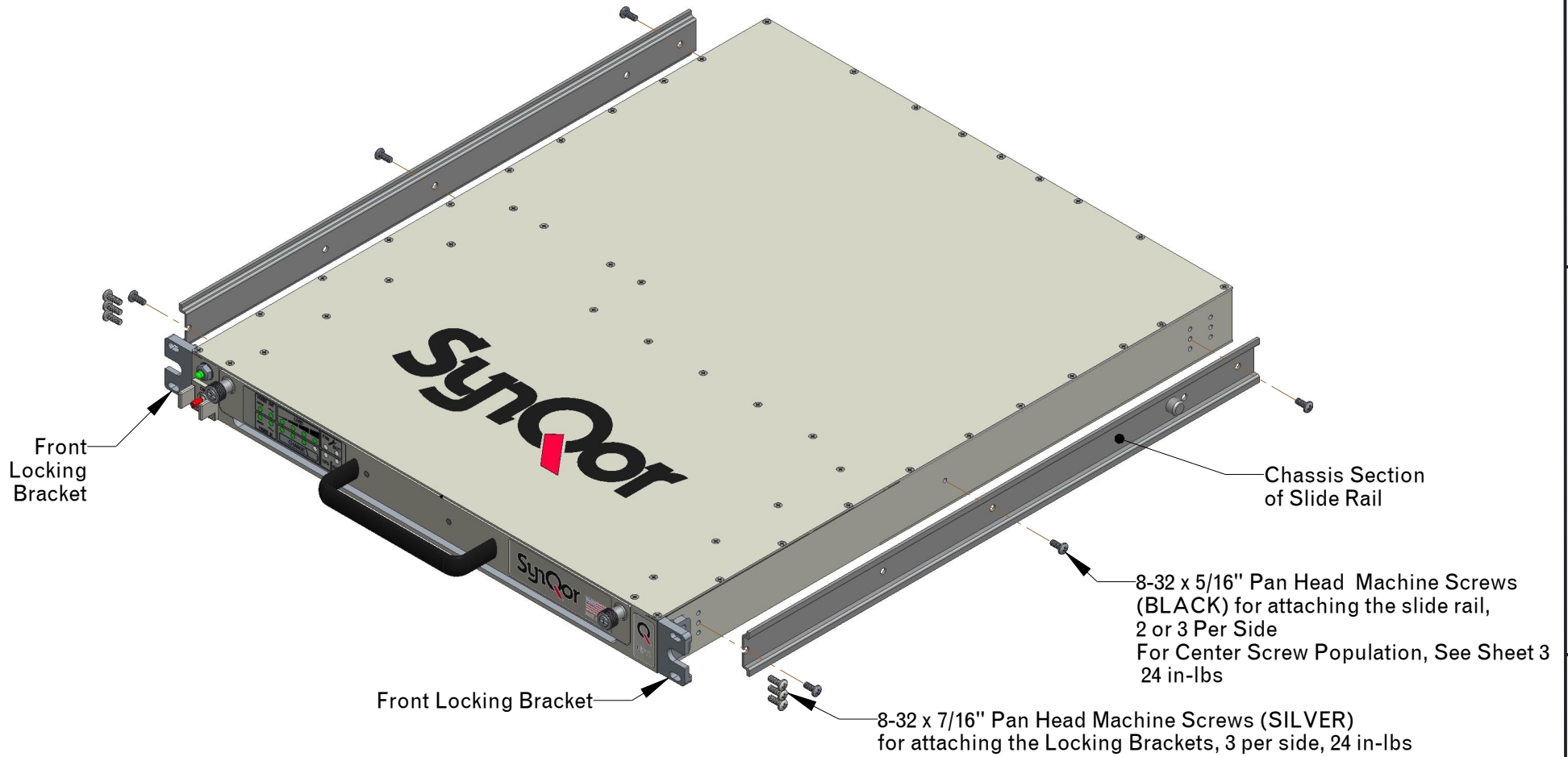
UPS Slide Rail Mount Kit (627mm Depth)

SOURCE: PRO/E ASSEMBLY_STEP5

SIZE	DATE	DWG. NO.	REV
A	10/6/17	SYN-9047	A

SCALE: 0.325 DRAWN: DS CHECK: SHEET 1 of 8

Rail - Chassis Mounting Diagram



TOLERANCES:

Unless otherwise specified:
All dimensions in inches

- .X +/- .025
- .XX +/- .010
- .XXX +/- .005
- Angles +/- 1°

THIRD ANGLE PROJECTION



THIS DRAWING IS THE PROPERTY OF SYNQOR INC.
It is not to be reproduced or copied, in whole or in part, or used for furnishing information to others, or for any purpose detrimental to the interests of SynQor. The information shown herein may be protected by patents owned or controlled by SynQor.



155 Swanson Road
Boxborough, MA 01719

UPS Slide Rail Mount Kit (627mm Depth)

SOURCE: PRO/E ASSEMBLY_STEP1

SIZE	DATE	DWG. NO.	REV
A	10/6/17	SYN-9047	A

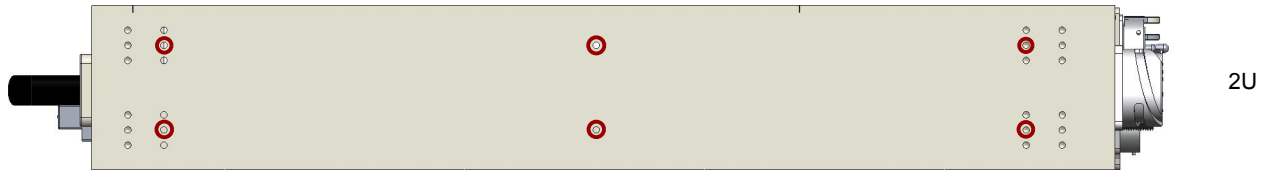
SCALE: 0.250 DRAWN: DS CHECK: SHEET 2 of 8

Rail - Chassis Mounting Positions

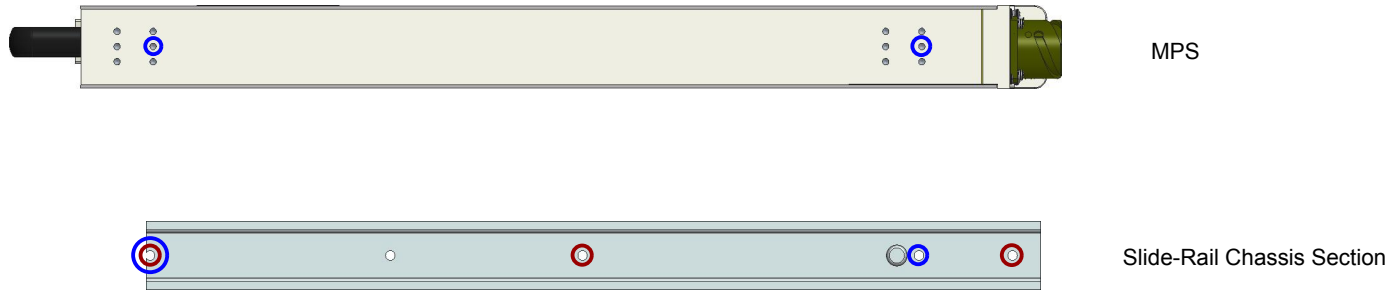
A



B



C



Note:

1. Attach Chassis Section of Slide-Rail to Chassis at Highlighted Locations.
2. Color Differentiates Product Hole Positions Only. Mounting Hardware Quantity and Location Are the Only Differences Between Products.

TOLERANCES:

Unless otherwise specified:
All dimensions in inches

- .X +/- .025
- .XX +/- .010
- .XXX +/- .005
- Angles +/- 1°

THIRD ANGLE PROJECTION



THIS DRAWING IS THE PROPERTY OF SYNQOR INC.
It is not to be reproduced or copied, in whole or in part, or used for furnishing information to others, or for any purpose detrimental to the interests of SynQor. The information shown herein may be protected by patents owned or controlled by SynQor.



155 Swanson Road
Boxborough, MA 01719

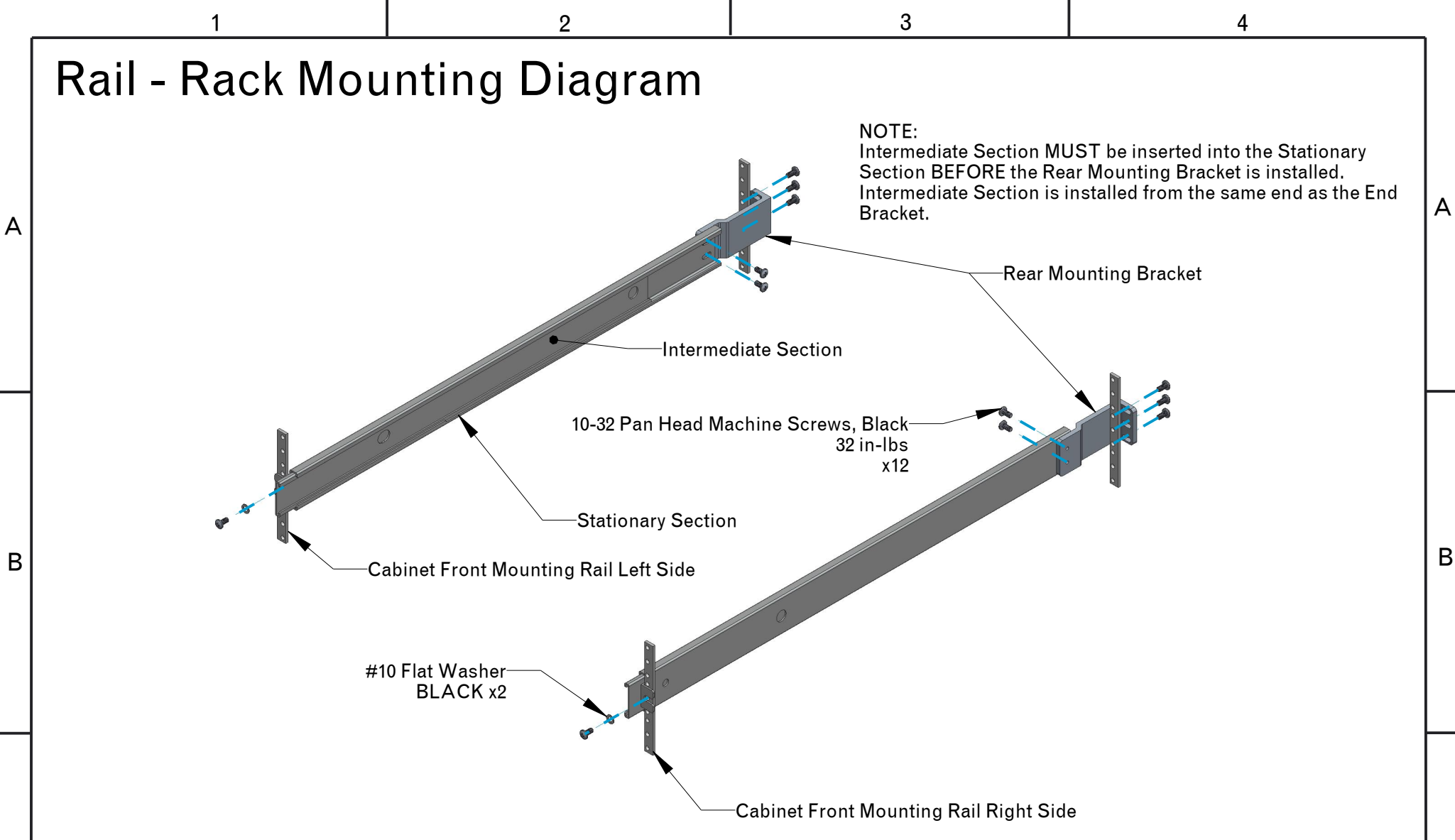
UPS Slide Rail Mount Kit (627mm Depth)

SOURCE: PRO/E ASSEMBLY_STEP1

SIZE	DATE	DWG. NO.	REV
A	10/6/17	SYN-9047	A

SCALE: 0.250 DRAWN: DS CHECK: SHEET 3 of 8

Rail - Rack Mounting Diagram



TOLERANCES:

Unless otherwise specified:
 All dimensions in inches
 .X +/- .025
 .XX +/- .010
 .XXX +/- .005
 Angles +/- 1°

THIRD ANGLE PROJECTION



THIS DRAWING IS THE PROPERTY OF SYNQOR INC.
 It is not to be reproduced or copied, in whole or in part, or used for furnishing information to others, or for any purpose detrimental to the interests of SynQor. The information shown herein may be protected by patents owned or controlled by SynQor.



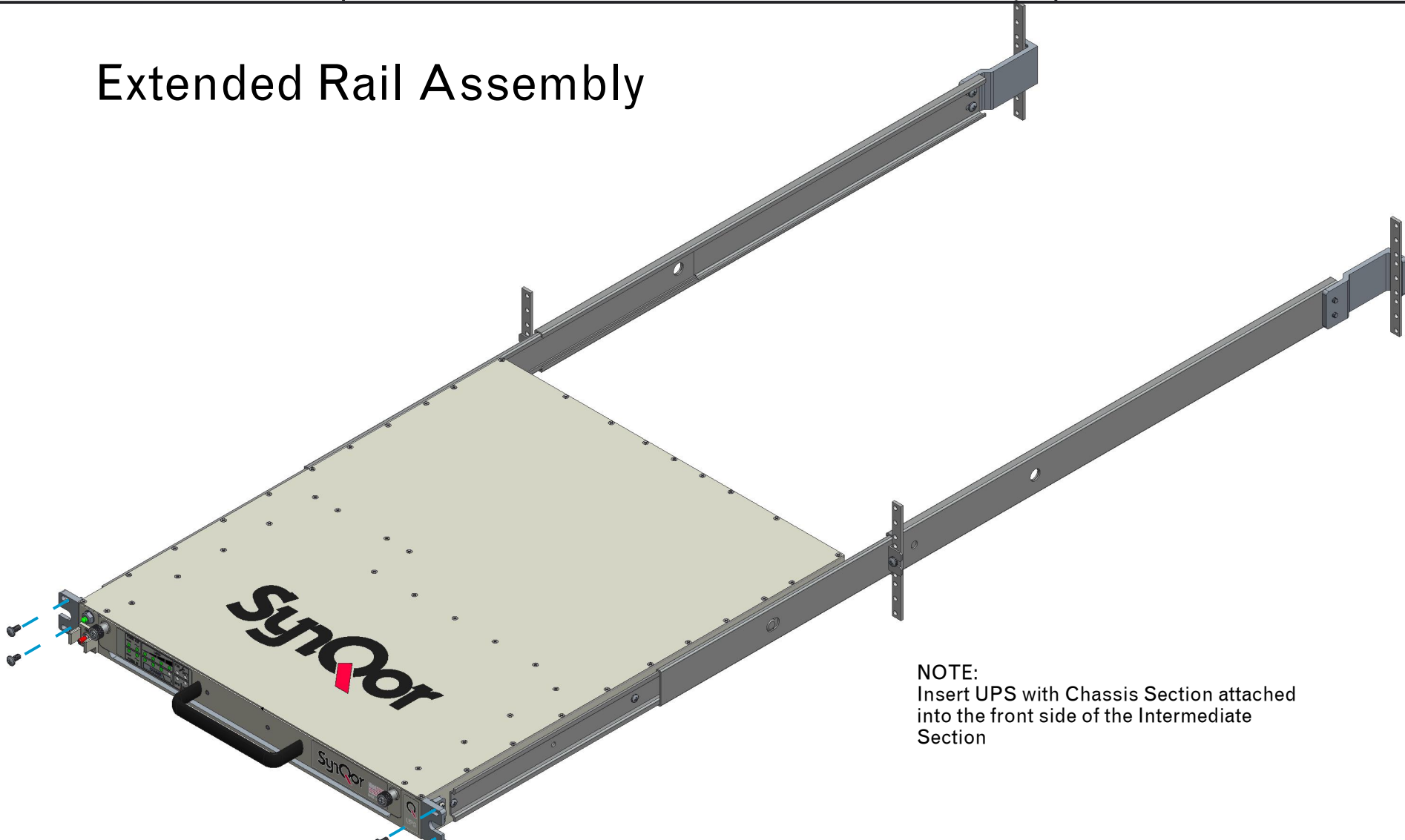
155 Swanson Road
 Boxborough, MA 01719

UPS Slide Rail Mount Kit (627mm Depth)

SOURCE: PRO/E ASSEMBLY_STEP2

SIZE	DATE	DWG. NO.	REV
A	10/6/17	SYN-9047	A
SCALE: 0.200		DRAWN: DS	CHECK:
			SHEET 4 of 8

Extended Rail Assembly



NOTE:
 Insert UPS with Chassis Section attached into the front side of the Intermediate Section

C 10-32 Pan Head Machine Screws, Black
 32 in-lbs
 x4

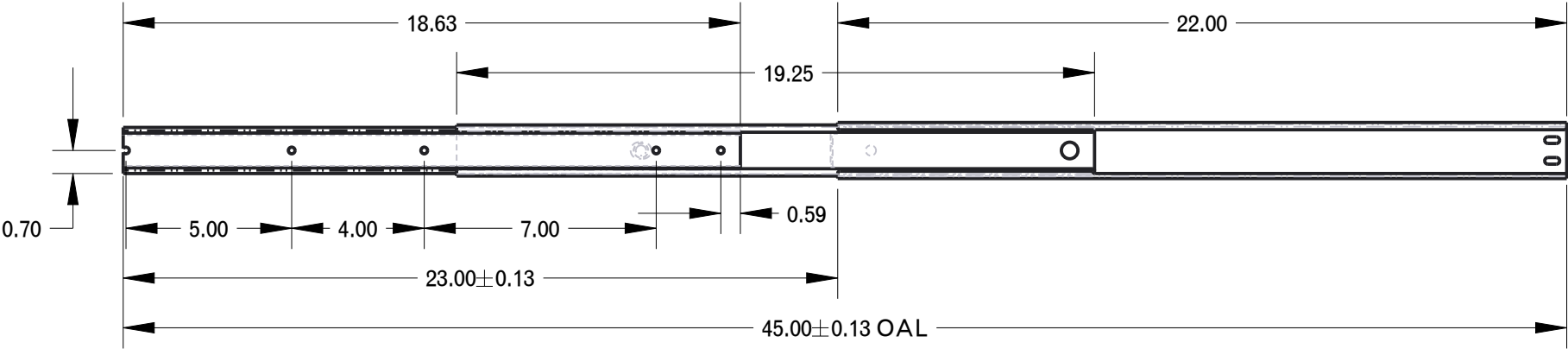
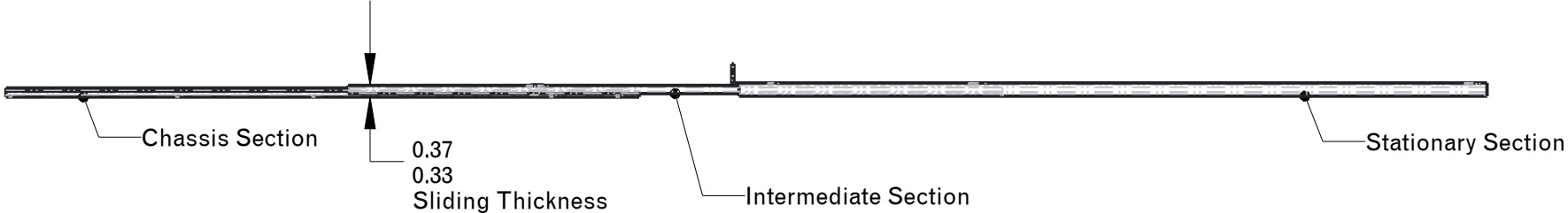
TOLERANCES:
 Unless otherwise specified:
 All dimensions in inches
 .X +/- .025
 .XX +/- .010
 .XXX +/- .005
 Angles +/- 1°

THIRD ANGLE PROJECTION

THIS DRAWING IS THE PROPERTY OF SYNQOR INC.
 It is not to be reproduced or copied, in whole or in part, or used for furnishing information to others, or for any purpose detrimental to the interests of SynQor. The information shown herein may be protected by patents owned or controlled by SynQor.

		155 Swanson Road Boxborough, MA 01719	
UPS Slide Rail Mount Kit (627mm Depth)			
SOURCE: PRO/E ASSEMBLY_STEP3			
SIZE	DATE	DWG. NO.	REV
A	10/6/17	SYN-9047	A
SCALE: 0.200	DRAWN: DS	CHECK:	SHEET 5 of 8

Slide Rail Details



- Notes
1. ALL SLIDING MEMBERS OF THE STANDARD SLIDE ARE MADE FROM COLD ROLLED STEEL.
 2. WEIGHT CAPACITY OF THE RAIL IS 85 lbs.

TOLERANCES:
Unless otherwise specified:
All dimensions in inches
.X +/- .025
.XX +/- .010
.XXX +/- .005
Angles +/- 1°

THIRD ANGLE PROJECTION

THIS DRAWING IS THE PROPERTY OF SYNQOR INC.
It is not to be reproduced or copied, in whole or in part, or used for furnishing information to others, or for any purpose detrimental to the interests of SynQor. The information shown herein may be protected by patents owned or controlled by SynQor.

SynQor 155 Swanson Road
Boxborough, MA 01719

UPS Slide Rail Mount Kit (627mm Depth)

SOURCE: PRO/E 554-1000010

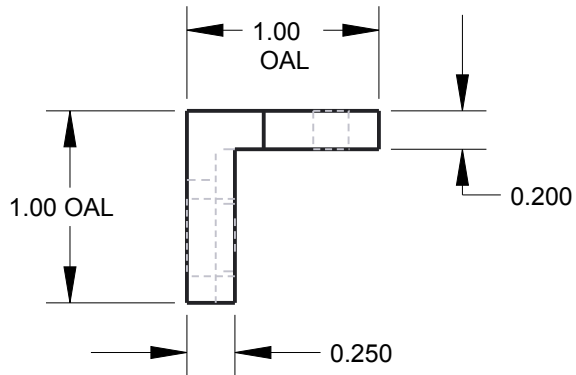
SIZE	DATE	DWG. NO.	REV
A	10/6/17	SYN-9047	A

SCALE: 0.200 DRAWN: DS CHECK: SHEET 6 of 8

1 2 3 4

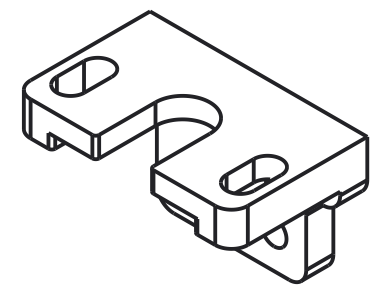
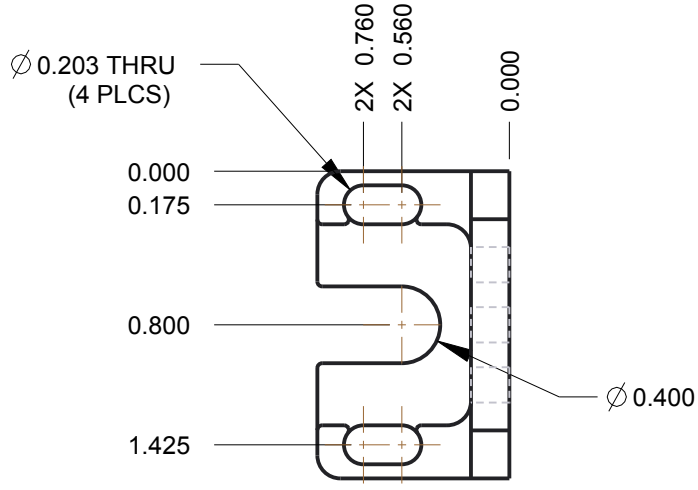
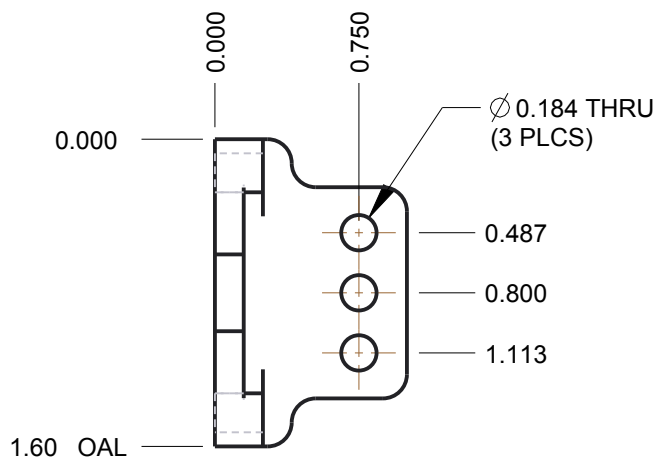
A

A



B

B



C

C

NOTES:
 1. MATERIAL: 6061-T6 ALUMINUM
 2. FINISH: CLEAR ANODIZED

TOLERANCES:

Unless otherwise specified:
 All dimensions in inches

- .X +/- .025
- .XX +/- .010
- .XXX +/- .005
- Angles +/- 1°

THIRD ANGLE PROJECTION



THIS DRAWING IS THE PROPERTY OF SYNQOR INC.
 It is not to be reproduced or copied, in whole or in part, or used for furnishing information to others, or for any purpose detrimental to the interests of SynQor. The information shown herein may be protected by patents owned or controlled by SynQor.



155 Swanson Road
 Boxborough, MA 01719

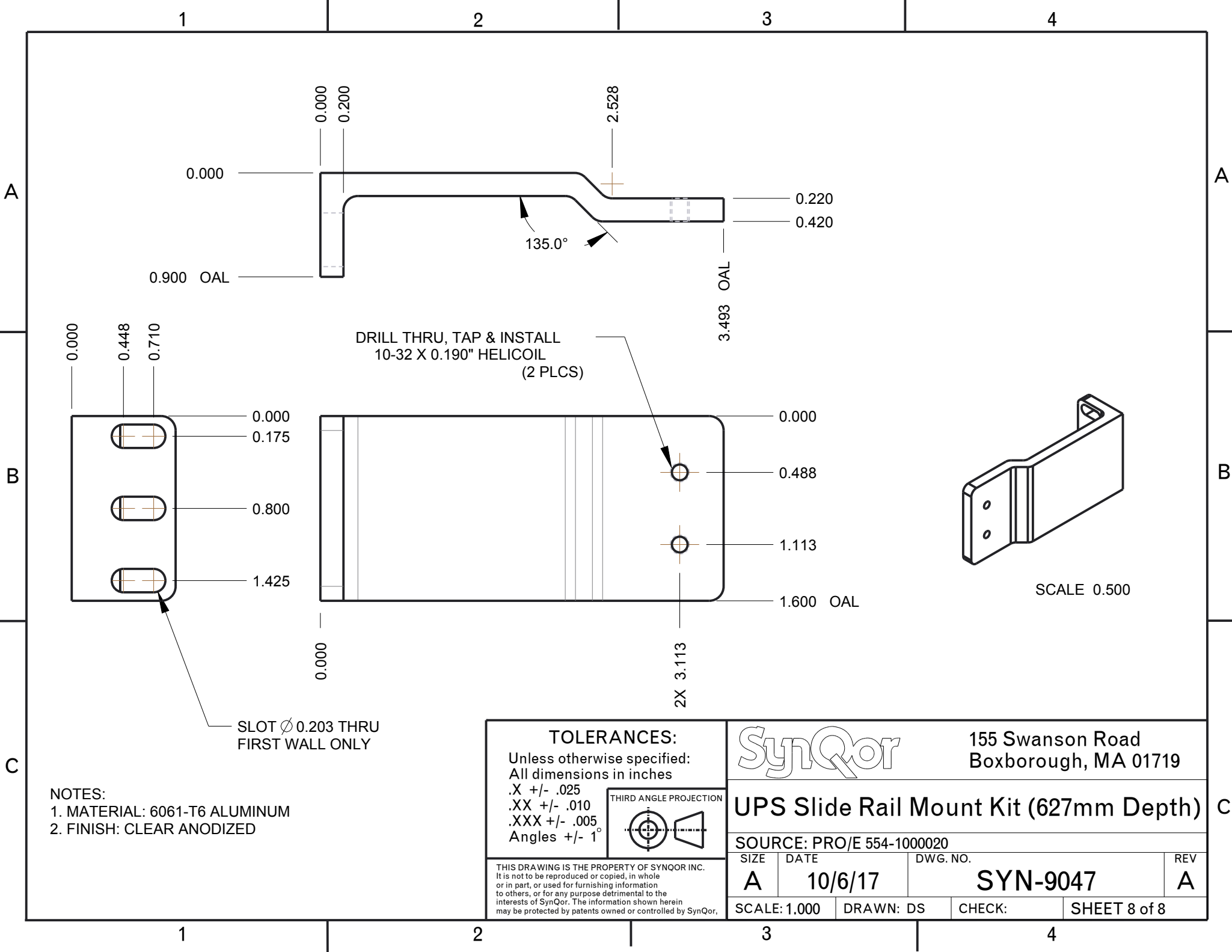
UPS Slide Rail Mount Kit (627mm Depth)

SOURCE: PRO/E 554-1000008

SIZE	DATE	DWG. NO.	REV
A	10/6/17	SYN-9047	A

SCALE: 1.000 DRAWN: DS CHECK: SHEET 7 of 8

1 2 3 4



NOTES:
 1. MATERIAL: 6061-T6 ALUMINUM
 2. FINISH: CLEAR ANODIZED

TOLERANCES:
 Unless otherwise specified:
 All dimensions in inches
 .X +/- .025
 .XX +/- .010
 .XXX +/- .005
 Angles +/- 1°

THIRD ANGLE PROJECTION

THIS DRAWING IS THE PROPERTY OF SYNQOR INC.
 It is not to be reproduced or copied, in whole
 or in part, or used for furnishing information
 to others, or for any purpose detrimental to the
 interests of SynQor. The information shown herein
 may be protected by patents owned or controlled by SynQor.

SynQor 155 Swanson Road
 Boxborough, MA 01719

UPS Slide Rail Mount Kit (627mm Depth)

SOURCE: PRO/E 554-1000020

SIZE	DATE	DWG. NO.	REV
A	10/6/17	SYN-9047	A
SCALE: 1.000	DRAWN: DS	CHECK:	SHEET 8 of 8