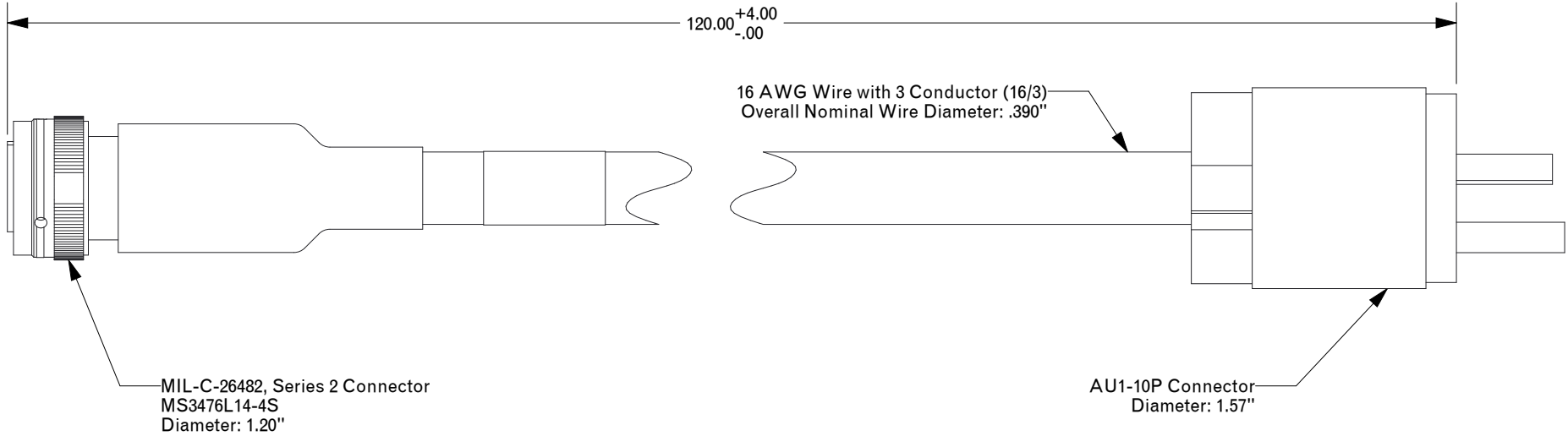
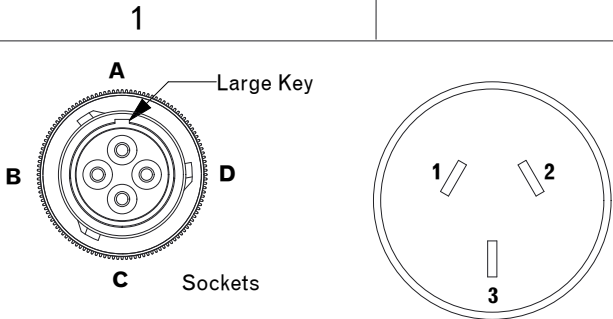
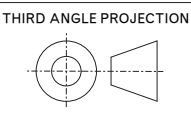


REVISIONS			
REV	DESCRIPTION	DATE	APPROVED
A	INITIAL RELEASE PER ECO# 18-23433	2/1/18	DS



Pin In #	Wire Color	Description	Pin Out #
A	Black	Line 1	1
B	White	Line 2	2
C	No Connection	No Connection	
D	Green	Ground	3

TOLERANCES:
 Unless otherwise specified:
 All dimensions in inches
 .X +/- .025
 .XX +/- .010
 .XXX +/- .005
 Angles +/- 1°



SynQor 155 Swanson Road
 Boxborough, MA 01719

**UPS AC Input External
 Cable (AU1-10P)**

SOURCE: PRO/E AC_INPUT_NEMA515P_CABLE			
SIZE	DATE	DWG. NO.	REV
A	2/1/18	SYN-9109	A
SCALE: 0.750	DRAWN: DS	CHECK:	SHEET 1 of 1

Notes:
 1. REFERENCE SYNQOR SPECIFICATION: 705-1000251
 2. WEIGHT: TBA

THIS DRAWING IS THE PROPERTY OF SYNQOR INC. It is not to be reproduced or copied, in whole or in part, or used for furnishing information to others, or for any purpose detrimental to the interests of SynQor. The information shown herein may be protected by patents owned or controlled by SynQor,