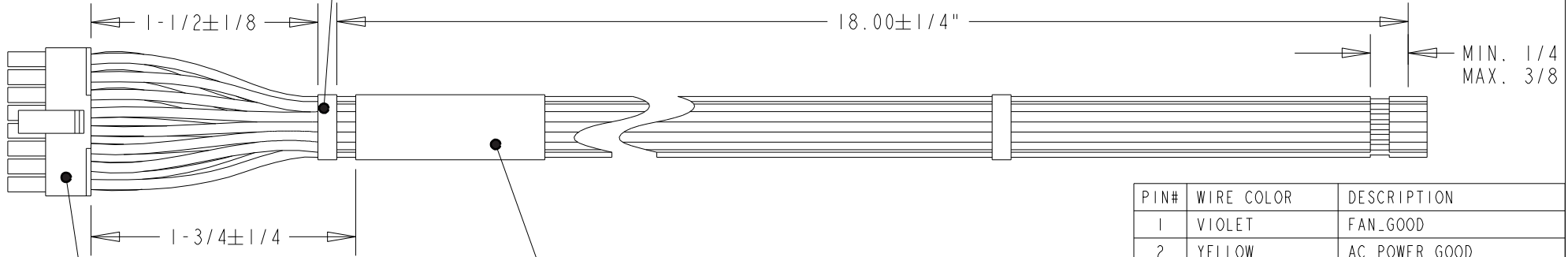


CABLE TIE
 SPC PN# VUVT-05M-M OR EQUIVALENT
 COLOR: BLACK
 MIN TENSILE STRENGTH: 18 lbs.
 QTY. 4 CABLE TIES SPACED 5"



TEXT HAS TO BE LEGIBLE WITH A
 MINIMUM OF .1" CHARACTER HEIGHT
 LABEL FORMAT:

SynQor
 Cable PN#/REV
 Date code (YYWW)

SEE NOTE 1

PIN#	WIRE COLOR	DESCRIPTION
1	VIOLET	FAN_GOOD
2	YELLOW	AC_POWER_GOOD
3	LIGHT BLUE	DC_POWER_GOOD
4	ORANGE	5V_STANDBY
5	RED	Vout+
6	RED	Vout+
7	RED	Vout+
8	RED	Vout+
9	DARK BLUE	RS485_A
10	GREEN	RS485_B
11	WHITE	REMOTE_ENABLE
12	BLACK	Vout-
13	BLACK	Vout-
14	BLACK	Vout-
15	BLACK	Vout-
16	BLACK	Vout-

NOTES:

- 1- USE MOLEX OR EQUIVALENT: 43025-1600 - 3.00mm (.118") Pitch Micro-Fit 3.0 Receptacle Housing WITH MOLEX OR EQUIVALENT: 43030-0008 - Micro-Fit 3.0 Crimp Terminal, (16 PIECES)
- 2- USE 20AWG WIRES (10x30 STRANDING) 18" LONG
 WIRE INSULATION: UL AWM Style 1569 - 300V, 105°C / CSA Type TRSR-64, 105°C
 OVERALL NOMINAL WIRE DIAMETER: .067
- 3- ALL PARTS MUST BE UL RECOGNIZED AND CSA APPROVED
- 4- WIRES MUST BE STRIPPED-AND-RETAINED
- 5- CABLE MANUFACTURER MUST FOLLOW CONNECTOR MANUFACTURER'S CRIMP GUIDELINES.
- 6- ALL PARTS/COMPONENTS MUST BE FREE OF DAMAGES, CUTS.

TOLERANCES:
 Unless otherwise specified:
 All dimensions in inches
 .XX +/- .01
 .XXX +/- .005
 Angles +/- 1

THIS DRAWING IS THE PROPERTY OF SYNQOR INC.
 It is not to be reproduced or copied, in whole or in part, or used for furnishing information to others, or for any purpose detrimental to the interests of SynQor. The information shown herein may be protected by patents owned or controlled by SynQor.

SynQor 155 Swanson Road
 Boxborough, MA 01719

**Output mating cable with
 pre-stripped wire ends (18" long)
 PN # AQ-CBL-OUT1C**