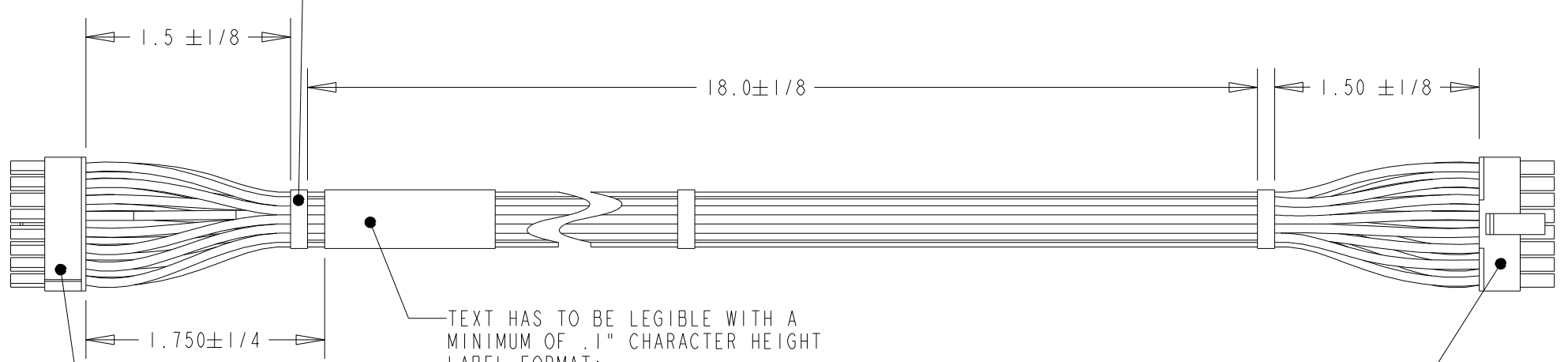


CABLE TIE  
 SPC PN# VUVT-05M-M OR EQUIVALENT  
 COLOR: BLACK  
 MIN TENSILE STRENGTH: 18 lbs.  
 QTY. 4 CABLE TIES SPACED 4.5"



TEXT HAS TO BE LEGIBLE WITH A  
 MINIMUM OF .1" CHARACTER HEIGHT  
 LABEL FORMAT:

SynQor  
 Cable PN#/REV  
 Date code (YYWW)

SEE NOTE 1

SEE NOTE 1

NOTES:

- 1- USE MOLEX OR EQUIVALENT: 43025-1600 - 3.00mm (.118") Pitch Micro-Fit 3.0 Receptacle Housing WITH MOLEX OR EQUIVALENT: 43030-0008 - Micro-Fit 3.0 Crimp Terminal, (32 PIECES)
- 2- USE 20AWG WIRES (10x30 STRANDING) 18"LONG WIRE INSULATION: UL AWM Style 1569 - 300V, 105°C / CSA Type TRSR-64, 105°C
- 3- OVERALL NOMINAL WIRE DIAMETER: .067
- 4- ALL PARTS MUST BE UL RECOGNIZED AND CSA APPROVED
- 5- CABLE MANUFACTURER MUST FOLLOW CONNECTOR MANUFACTURER'S CRIMP GUIDELINES.
- 6- ALL PARTS/COMPONENTS MUST BE FREE OF DAMAGES, CUTS.

PIN#	WIRE COLOR	DESCRIPTION
1	VIOLET	FAN_GOOD
2	YELLOW	AC_POWER_GOOD
3	LIGHT BLUE	DC_POWER_GOOD
4	ORANGE	5V_STANDBY
5	RED	Vout+
6	RED	Vout+
7	RED	Vout+
8	RED	Vout+
9	DARK BLUE	RS485_A
10	GREEN	RS485_B
11	WHITE	REMOTE_ENABLE
12	BLACK	Vout-
13	BLACK	Vout-
14	BLACK	Vout-
15	BLACK	Vout-
16	BLACK	Vout-

TOLERANCES:  
 Unless otherwise specified:  
 All dimensions in inches  
 .XX +/- .01  
 .XXX +/- .005  
 Angles +/- 1

THIS DRAWING IS THE PROPERTY OF SYNQOR INC. It is not to be reproduced or copied, in whole or in part, or used for furnishing information to others, or for any purpose detrimental to the interests of SynQor. The information shown herein may be protected by patents owned or controlled by SynQor.

**SynQor** 155 Swanson Road  
 Boxborough, MA 01719

**Output mating cable with  
 connectors on both ends (18" long)  
 PN # AQ-CBL-OUT2C**