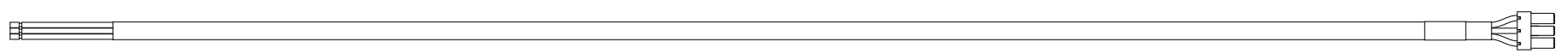


REVISIONS			
REV	DESCRIPTION	DATE	APPROVED
A	RELEASE TO PRODUCTION PER ECO 11-13583	06/19/11	IS
B	LENGTH SPECIFICATION PER ECO 20-27120	11/20/20	K.DUBROWN
C	CRIMP TERMINAL PER ECO 21-27459	04/01/21	K.DUBROWN



SCALE 0.250

A

A

B

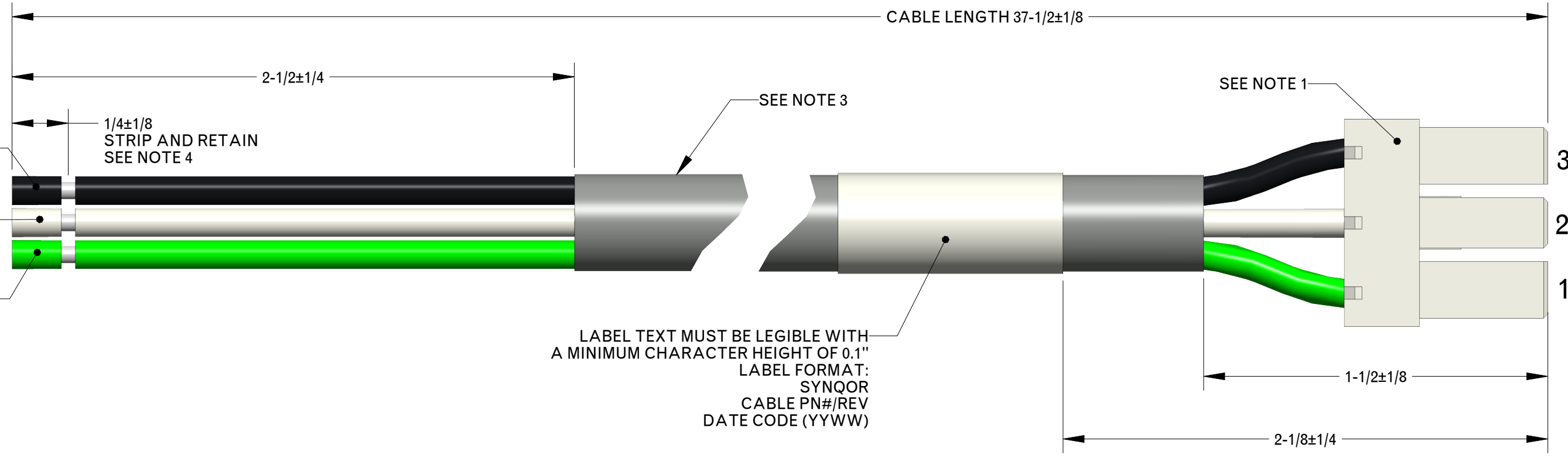
B

C

C

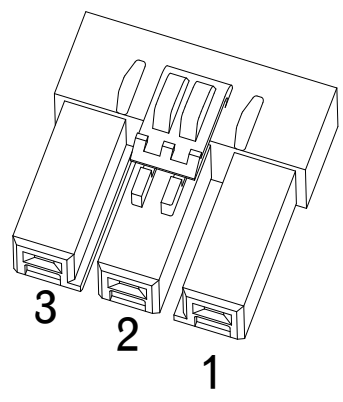
D

D



LABEL TEXT MUST BE LEGIBLE WITH  
A MINIMUM CHARACTER HEIGHT OF 0.1"  
LABEL FORMAT:  
SYNQOR  
CABLE PN#/REV  
DATE CODE (YYWW)

HIROSE DF22-3S-7.92C  
SCALE 1.500



- NOTES:
- USE HIROSE CONNECTOR OR EQUIVALENT: DF22B-3S-7.92C  
WITH HIROSE CRIMP TERMINAL OR EQUIVALENT: DF22A-1012SCA  
TERMINAL PLATING - CONTACT PART: AU, CRIMPING PART (OUTSIDE): SN, OTHER: NI
  - PIN 1 - GROUND - GREEN  
PIN 2 - AC NEUTRAL - WHITE  
PIN 3 - AC LINE - BLACK
  - CABLE: UL RATED, TYPE SJ, 90°C, 12 AWGx3, BLACK
  - WIRES MUST BE STRIPPED-AND-RETAINED
  - ALL PARTS MUST BE UL RECOGNIZED AND CSA APPROVED
  - CABLE MANUFACTURER MUST FOLLOW CONNECTOR MANUFACTURER'S CRIMP GUIDELINES.
  - ALL PARTS/COMPONENTS MUST BE FREE OF DAMAGES, CUTS

<b>TOLERANCES:</b> Unless otherwise specified: All dimensions in inches .X +/- .025 .XX +/- .010 .XXX +/- .005 Angles +/- 1°			
		155 Swanson Road Boxborough, MA 01719-1316	
<b>G SERIES ACUQOR INPUT CABLE</b> <b>KIT # AQ-CBL-INPUT1CG</b>			
SOURCE: PRO/E 705-1000011_ASSM			
SIZE	DATE	DWG. NO.	REV
B	APR-01-21	705-1000011	C
SCALE: 2.000	DRAWN: KJD	CHECK:	SHEET 1 of 1

1

2

3

4