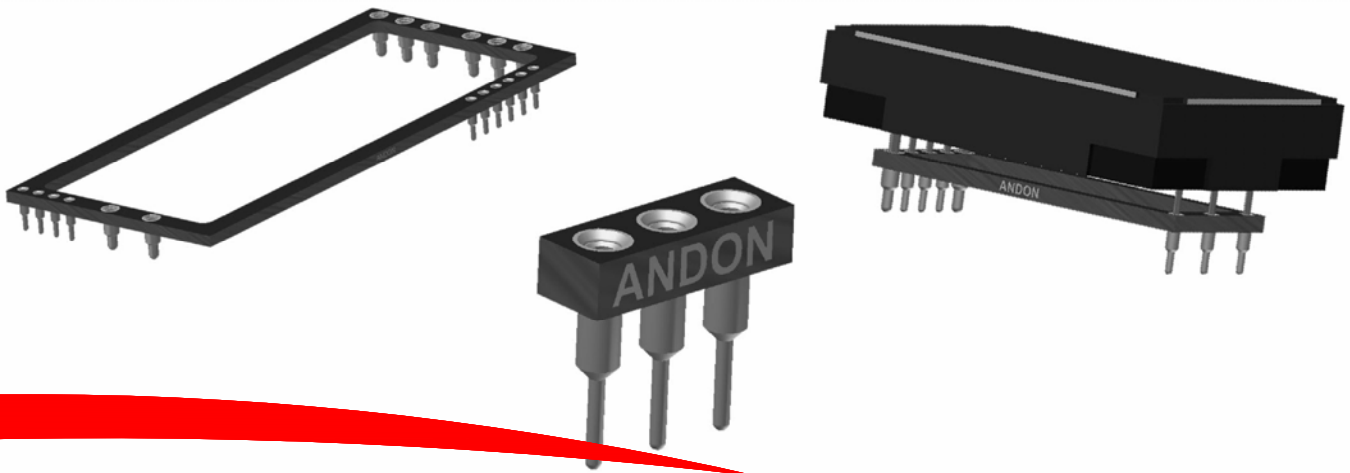


**HIGH RELIABILITY  
POWER CONVERTER SOCKETS FOR  
SynQor Inc.**

**SynQor<sup>®</sup>**



**Featuring Andon's Unique Senstac<sup>™</sup> Contact**

SYNQOR						
SYNQOR Model Number	Andon Part Number Replace "XXX" with Terminal Type	Terminal Type		Pin Ø [in]	Figure Number	Page Number
		Thru-Hole	Surface Mount			
ACLF060HTx230	C10-1930-05-01-XXX-R32-L14	433E	285E	.040	11	11
ACLFUNVETx230	CSP2000-05-04-XXX-R32-L141	433E	285E	.040	14	12
IQ32120HPw13NRS	CSP1900-08-02-XXX-R32-L14	507EP72	508EP72	.040/.080	1	9
IQ040PFQTx30	CSP2000-06-01-XXX-R32-L14	502EP55	503EP55	.040/.060	10	11
IQ080PFQTx20	CSP2000-06-01-XXX-R32-L14	502EP55	503EP55	.040/.060	10	11
IQ12015SKw16XYZ	CSP1100-08-01-XXX-R32-L14	502EP55	503EP55	.040/.060	4	10
IQ12018SKw14XYZ	CSP1100-08-01-XXX-R32-L14	502EP55	503EP55	.040/.060	4	10
IQ12025SKw10XYZ	CSP1100-08-01-XXX-R32-L14	502EP55	503EP55	.040/.060	4	10
IQ12033SKw08XYZ	CSP1100-08-01-XXX-R32-L14	502EP55	503EP55	.040/.060	4	10
IQ12033SMw15XYZ	CSP1100-08-01-XXX-R32-L14	502EP55	503EP55	.040/.060	4	10
IQ12050QGw15XYZ	CSP2000-08-01-XXX-R32-L14	502EP55	503EP55	.040/.060	8	10
IQ12050SKw05XYZ	CSP1100-08-01-XXX-R32-L14	502EP55	503EP55	.040/.060	4	10
IQ12050SMw10XYZ	CSP1100-08-01-XXX-R32-L14	502EP55	503EP55	.040/.060	4	10
IQ12070QGw10XYZ	CSP2000-08-01-XXX-R32-L14	502EP55	503EP55	.040/.060	8	10
IQ12070QTw14XYZ	CSP2000-08-01-XXX-R32-L14	502EP55	503EP55	.040/.060	8	10
IQ12070SKw04XYZ	CSP1100-08-01-XXX-R32-L14	502EP55	503EP55	.040/.060	4	10
IQ12070SMw07XYZ	CSP1100-08-01-XXX-R32-L14	502EP55	503EP55	.040/.060	4	10
IQ12120HPw15NRS	CSP1900-08-02-XXX-R32-L14	507EP72	508EP72	.040/.080	1	9
IQ12120HTw12NRS	CSP1900-08-02-XXX-R32-L14	507EP72	508EP72	.040/.080	1	9
IQ12120HTw12NRS	CSP1900-08-02-XXX-R32-L14	507EP72	508EP72	.040/.080	1	9
IQ12120QGw06XYZ	CSP2000-08-01-XXX-R32-L14	502EP55	503EP55	.040/.060	8	10
IQ12120QTW08XYZ	CSP2000-08-01-XXX-R32-L14	502EP55	503EP55	.040/.060	8	10
IQ12120SKw02XYZ	CSP1100-08-01-XXX-R32-L14	502EP55	503EP55	.040/.060	4	10
IQ12120SMw04XYZ	CSP1100-08-01-XXX-R32-L14	502EP55	503EP55	.040/.060	4	10
IQ12150HPw12NRS	CSP1900-08-02-XXX-R32-L14	507EP72	508EP72	.040/.080	1	9
IQ12150HTw10NRS	CSP1900-08-02-XXX-R32-L14	507EP72	508EP72	.040/.080	1	9
IQ12150HTw10NRS	CSP1900-08-02-XXX-R32-L14	507EP72	508EP72	.040/.080	1	9
IQ12150QGw05XYZ	CSP2000-08-01-XXX-R32-L14	502EP55	503EP55	.040/.060	8	10
IQ12150QTW07XYZ	CSP2000-08-01-XXX-R32-L14	502EP55	503EP55	.040/.060	8	10
IQ12150SKw02XYZ	CSP1100-08-01-XXX-R32-L14	502EP55	503EP55	.040/.060	4	10
IQ12150SMw03XYZ	CSP1100-08-01-XXX-R32-L14	502EP55	503EP55	.040/.060	4	10
IQ12240HPw7FNRS	CSP1900-08-02-XXX-R32-L14	507EP72	508EP72	.040/.080	1	9
IQ12240HTw06NRS	CSP1900-08-02-XXX-R32-L14	507EP72	508EP72	.040/.080	1	9
IQ12240HTw06NRS	CSP1900-08-02-XXX-R32-L14	507EP72	508EP72	.040/.080	1	9
IQ12240QGw03XYZ	CSP2000-08-01-XXX-R32-L14	502EP55	503EP55	.040/.060	8	10
IQ12240QTW04XYZ	CSP2000-08-01-XXX-R32-L14	502EP55	503EP55	.040/.060	8	10
IQ12280HPw6FNRS	CSP1900-08-02-XXX-R32-L14	507EP72	508EP72	.040/.080	1	9
IQ12280HTw05NRS	CSP1900-08-02-XXX-R32-L14	507EP72	508EP72	.040/.080	1	9
IQ12280HTw05NRS	CSP1900-08-02-XXX-R32-L14	507EP72	508EP72	.040/.080	1	9
IQ12300QGw2EXYZ	CSP2000-08-01-XXX-R32-L14	502EP55	503EP55	.040/.060	8	10
IQ12300QTW03XYZ	CSP2000-08-01-XXX-R32-L14	502EP55	503EP55	.040/.060	8	10
IQ12400HPw4FNRS	CSP1900-08-02-XXX-R32-L14	507EP72	508EP72	.040/.080	1	9
IQ12400HTw04NRS	CSP1900-08-02-XXX-R32-L14	507EP72	508EP72	.040/.080	1	9
IQ12400HTw04NRS	CSP1900-08-02-XXX-R32-L14	507EP72	508EP72	.040/.080	1	9
IQ12480HPw3HNRS	CSP1900-08-02-XXX-R32-L14	507EP72	508EP72	.040/.080	1	9
IQ12480HTw03NRS	CSP1900-08-02-XXX-R32-L14	507EP72	508EP72	.040/.080	1	9
IQ12480HTw03NRS	CSP1900-08-02-XXX-R32-L14	507EP72	508EP72	.040/.080	1	9
IQ12480QGw1FXYZ	CSP2000-08-01-XXX-R32-L14	502EP55	503EP55	.040/.060	8	10
IQ12480QTW02XYZ	CSP2000-08-01-XXX-R32-L14	502EP55	503EP55	.040/.060	8	10
IQ12xxxSKXxxx	CSP1100-08-01-XXX-R32-L14	502EP55	503EP55	.040/.060	4	10
IQ12xxxSMXxxx	CSP1100-08-01-XXX-R32-L14	502EP55	503EP55	.040/.060	4	10
IQ18015SKw16XYZ	CSP1100-08-01-XXX-R32-L14	502EP55	503EP55	.040/.060	4	10
IQ18018SKw14XYZ	CSP1100-08-01-XXX-R32-L14	502EP55	503EP55	.040/.060	4	10
IQ18025SKw10XYZ	CSP1100-08-01-XXX-R32-L14	502EP55	503EP55	.040/.060	4	10
IQ18033SKw08XYZ	CSP1100-08-01-XXX-R32-L14	502EP55	503EP55	.040/.060	4	10
IQ18033SMw15XYZ-G	CSP1100-08-01-XXX-R32-L14	502EP55	503EP55	.040/.060	4	10
IQ18050QGw15XYZ	CSP2000-08-01-XXX-R32-L14	502EP55	503EP55	.040/.060	8	10

Heat sink socket available to reduce heat and noise. Contact Andon for details.

\*Andon does not guarantee the suitability of their products for the buyer's intended application.  
Only the buyer of such products assumes the responsibility of the product application.\*

©Copyright 2019 Andon Electronics Corporation. All Rights Reserved. This material is protected under US and other copyrights and may not be copied, sold, or redistributed in any form without written permission of Andon Electronics Corporation. Copyrights and trademarks are property of their respective companies. We reserve the right to change specifications without notice. Andon makes no warranty, expressed or implied, as to the suitability of the sockets for the intended purpose.

**"ANDON PROPRIETARY INFORMATION"**  
**RoHS Compliant**

\*Sockets are not drawn to scale SynQor 01/02/2019

SYNQOR						
SYNQOR Model Number	Andon Part Number Replace "XXX" with Terminal Type	Terminal Type		Pin Ø [in]	Figure Number	Page Number
		Thru-Hole	Surface Mount			
ACL060HTx230	C10-1930-05-01-XXX-R32-L14	433E	285E	.040	11	11
ACLFUNVETx230	CSP2000-05-04-XXX-R32-L141	433E	285E	.040	14	12
IQ32120HPw13NRS	CSP1900-08-02-XXX-R32-L14	507EP72	508EP72	.040/.080	1	9
IQ040PFQTx30	CSP2000-06-01-XXX-R32-L14	502EP55	503EP55	.040/.060	10	11
IQ080PFQTx20	CSP2000-06-01-XXX-R32-L14	502EP55	503EP55	.040/.060	10	11
IQ12015SKw16XYZ	CSP1100-08-01-XXX-R32-L14	502EP55	503EP55	.040/.060	4	10
IQ12018SKw14XYZ	CSP1100-08-01-XXX-R32-L14	502EP55	503EP55	.040/.060	4	10
IQ12025SKw10XYZ	CSP1100-08-01-XXX-R32-L14	502EP55	503EP55	.040/.060	4	10
IQ12033SKw08XYZ	CSP1100-08-01-XXX-R32-L14	502EP55	503EP55	.040/.060	4	10
IQ12033SMw15XYZ	CSP1100-08-01-XXX-R32-L14	502EP55	503EP55	.040/.060	4	10
IQ12050QGw15XYZ	CSP2000-08-01-XXX-R32-L14	502EP55	503EP55	.040/.060	8	10
IQ12050SKw05XYZ	CSP1100-08-01-XXX-R32-L14	502EP55	503EP55	.040/.060	4	10
IQ12050SMw10XYZ	CSP1100-08-01-XXX-R32-L14	502EP55	503EP55	.040/.060	4	10
IQ12070QGw10XYZ	CSP2000-08-01-XXX-R32-L14	502EP55	503EP55	.040/.060	8	10
IQ12070QTW14XYZ	CSP2000-08-01-XXX-R32-L14	502EP55	503EP55	.040/.060	8	10
IQ12070SKw04XYZ	CSP1100-08-01-XXX-R32-L14	502EP55	503EP55	.040/.060	4	10
IQ12070SMw07XYZ	CSP1100-08-01-XXX-R32-L14	502EP55	503EP55	.040/.060	4	10
IQ12120HPw15NRS	CSP1900-08-02-XXX-R32-L14	507EP72	508EP72	.040/.080	1	9
IQ12120HTw12NRS	CSP1900-08-02-XXX-R32-L14	507EP72	508EP72	.040/.080	1	9
IQ12120HTw12NRS	CSP1900-08-02-XXX-R32-L14	507EP72	508EP72	.040/.080	1	9
IQ12120QGw06XYZ	CSP2000-08-01-XXX-R32-L14	502EP55	503EP55	.040/.060	8	10
IQ12120QTW08XYZ	CSP2000-08-01-XXX-R32-L14	502EP55	503EP55	.040/.060	8	10
IQ12120SKw02XYZ	CSP1100-08-01-XXX-R32-L14	502EP55	503EP55	.040/.060	4	10
IQ12120SMw04XYZ	CSP1100-08-01-XXX-R32-L14	502EP55	503EP55	.040/.060	4	10
IQ12150HPw12NRS	CSP1900-08-02-XXX-R32-L14	507EP72	508EP72	.040/.080	1	9
IQ12150HTw10NRS	CSP1900-08-02-XXX-R32-L14	507EP72	508EP72	.040/.080	1	9
IQ12150HTw10NRS	CSP1900-08-02-XXX-R32-L14	507EP72	508EP72	.040/.080	1	9
IQ12150QGw05XYZ	CSP2000-08-01-XXX-R32-L14	502EP55	503EP55	.040/.060	8	10
IQ12150QTW07XYZ	CSP2000-08-01-XXX-R32-L14	502EP55	503EP55	.040/.060	8	10
IQ12150SKw02XYZ	CSP1100-08-01-XXX-R32-L14	502EP55	503EP55	.040/.060	4	10
IQ12150SMw03XYZ	CSP1100-08-01-XXX-R32-L14	502EP55	503EP55	.040/.060	4	10
IQ12240HPw7FNRS	CSP1900-08-02-XXX-R32-L14	507EP72	508EP72	.040/.080	1	9
IQ12240HTw06NRS	CSP1900-08-02-XXX-R32-L14	507EP72	508EP72	.040/.080	1	9
IQ12240HTw06NRS	CSP1900-08-02-XXX-R32-L14	507EP72	508EP72	.040/.080	1	9
IQ12240QGw03XYZ	CSP2000-08-01-XXX-R32-L14	502EP55	503EP55	.040/.060	8	10
IQ12240QTW04XYZ	CSP2000-08-01-XXX-R32-L14	502EP55	503EP55	.040/.060	8	10
IQ12280HPw6FNRS	CSP1900-08-02-XXX-R32-L14	507EP72	508EP72	.040/.080	1	9
IQ12280HTw05NRS	CSP1900-08-02-XXX-R32-L14	507EP72	508EP72	.040/.080	1	9
IQ12280HTw05NRS	CSP1900-08-02-XXX-R32-L14	507EP72	508EP72	.040/.080	1	9
IQ12300QGw2EXYZ	CSP2000-08-01-XXX-R32-L14	502EP55	503EP55	.040/.060	8	10
IQ12300QTW03XYZ	CSP2000-08-01-XXX-R32-L14	502EP55	503EP55	.040/.060	8	10
IQ12400HPw4FNRS	CSP1900-08-02-XXX-R32-L14	507EP72	508EP72	.040/.080	1	9
IQ12400HTw04NRS	CSP1900-08-02-XXX-R32-L14	507EP72	508EP72	.040/.080	1	9
IQ12400HTw04NRS	CSP1900-08-02-XXX-R32-L14	507EP72	508EP72	.040/.080	1	9
IQ12480HPw3HNRS	CSP1900-08-02-XXX-R32-L14	507EP72	508EP72	.040/.080	1	9
IQ12480HTw03NRS	CSP1900-08-02-XXX-R32-L14	507EP72	508EP72	.040/.080	1	9
IQ12480HTw03NRS	CSP1900-08-02-XXX-R32-L14	507EP72	508EP72	.040/.080	1	9
IQ12480QGw1FXYZ	CSP2000-08-01-XXX-R32-L14	502EP55	503EP55	.040/.060	8	10
IQ12480QTW02XYZ	CSP2000-08-01-XXX-R32-L14	502EP55	503EP55	.040/.060	8	10
IQ12xxxSKXxxx	CSP1100-08-01-XXX-R32-L14	502EP55	503EP55	.040/.060	4	10
IQ12xxxSMXxxx	CSP1100-08-01-XXX-R32-L14	502EP55	503EP55	.040/.060	4	10
IQ18015SKw16XYZ	CSP1100-08-01-XXX-R32-L14	502EP55	503EP55	.040/.060	4	10
IQ18018SKw14XYZ	CSP1100-08-01-XXX-R32-L14	502EP55	503EP55	.040/.060	4	10
IQ18025SKw10XYZ	CSP1100-08-01-XXX-R32-L14	502EP55	503EP55	.040/.060	4	10
IQ18033SKw08XYZ	CSP1100-08-01-XXX-R32-L14	502EP55	503EP55	.040/.060	4	10
IQ18033SMw15XYZ-G	CSP1100-08-01-XXX-R32-L14	502EP55	503EP55	.040/.060	4	10
IQ18050QGw15XYZ	CSP2000-08-01-XXX-R32-L14	502EP55	503EP55	.040/.060	8	10

Heat sink socket available to reduce heat and noise. Contact Andon for details.

\*Andon does not guarantee the suitability of their products for the buyer's intended application. Only the buyer of such products assumes the responsibility of the product application.\*

SYNQOR						
SYNQOR Model Number	Andon Part Number Replace "XXX" with Terminal Type	Terminal Type		Pin Ø [in]	Figure Number	Page Number
		Thru-Hole	Surface Mount			
IQ1B300QMw2FXYZ	CSP2000-08-01-XXX-R32-L14	502EP55	503EP55	.040/.060	8	10
IQ1B300QTW05NRS	CSP2000-08-01-XXX-R32-L14	502EP55	503EP55	.040/.060	8	10
IQ1B400HPw06NRS	CSP1900-08-02-XXX-R32-L14	507EP72	508EP72	.040/.080	1	9
IQ1B400HTW05NRS	CSP1900-08-02-XXX-R32-L14	507EP72	508EP72	.040/.080	1	9
IQ1B480HPw5CNRS	CSP1900-08-02-XXX-R32-L14	507EP72	508EP72	.040/.080	1	9
IQ1B480HTW04NRS	CSP1900-08-02-XXX-R32-L14	507EP72	508EP72	.040/.080	1	9
IQ1B480QGw02XYZ	CSP2000-08-01-XXX-R32-L14	502EP55	503EP55	.040/.060	8	10
IQ1B480QMw02XYZ	CSP2000-08-01-XXX-R32-L14	502EP55	503EP55	.040/.060	8	10
IQ1B480QTW03NRS	CSP2000-08-01-XXX-R32-L14	502EP55	503EP55	.040/.060	8	10
IQ1BxxxHPXxxx	CSP1900-08-02-XXX-R32-L14	507EP72	508EP72	.040/.060	1	9
IQ1BxxxHTXxxx	CSP1900-08-02-XXX-R32-L14	507EP72	508EP72	.040/.060	1	9
IQ1BxxxQGXxxx	CSP2000-08-01-XXX-R32-L14	502EP55	503EP55	.040/.060	8	10
IQ1BxxxQTXxxx	CSP2000-08-01-XXX-R32-L14	502EP55	503EP55	.040/.060	8	10
IQ200PFQTx10	CSP2000-06-01-XXX-R32-L14	502EP55	503EP55	.040/.060	10	11
IQ24015SKw16XYZ	CSP1100-08-01-XXX-R32-L14	502EP55	503EP55	.040/.060	4	10
IQ24018SKw14XYZ	CSP1100-08-01-XXX-R32-L14	502EP55	503EP55	.040/.060	4	10
IQ24025SKw10XYZ	CSP1100-08-01-XXX-R32-L14	502EP55	503EP55	.040/.060	4	10
IQ24033SKw08XYZ	CSP1100-08-01-XXX-R32-L14	502EP55	503EP55	.040/.060	4	10
IQ24033SMw15XYZ	CSP1100-08-01-XXX-R32-L14	502EP55	503EP55	.040/.060	4	10
IQ24050QGw18XYZ	CSP2000-08-01-XXX-R32-L14	502EP55	503EP55	.040/.060	8	10
IQ24050SKw05XYZ	CSP1100-08-01-XXX-R32-L14	502EP55	503EP55	.040/.060	4	10
IQ24050SMw10XYZ	CSP1100-08-01-XXX-R32-L14	502EP55	503EP55	.040/.060	4	10
IQ24070QGw13XYZ	CSP2000-08-01-XXX-R32-L14	502EP55	503EP55	.040/.060	8	10
IQ24070QTW17XYZ	CSP2000-08-01-XXX-R32-L14	502EP55	503EP55	.040/.060	8	10
IQ24070SKw04XYZ	CSP1100-08-01-XXX-R32-L14	502EP55	503EP55	.040/.060	4	10
IQ24070SMw07XYZ	CSP1100-08-01-XXX-R32-L14	502EP55	503EP55	.040/.060	4	10
IQ24120HPw18XYZ	CSP1900-11-01-XXX-R32-L14	507EP72	508EP72	.040/.080	12	11
IQ24120HTW13XYZ-G	CSP1900-11-01-XXX-R32-L14	507EP72	508EP72	.040/.080	12	11
IQ24120QGw7FXYZ	CSP2000-08-01-XXX-R32-L14	502EP55	503EP55	.040/.060	8	10
IQ24120QTW10XYZ	CSP2000-08-01-XXX-R32-L14	502EP55	503EP55	.040/.060	8	10
IQ24120SKw02XYZ	CSP1100-08-01-XXX-R32-L14	502EP55	503EP55	.040/.060	4	10
IQ24120SMw04XYZ	CSP1100-08-01-XXX-R32-L14	502EP55	503EP55	.040/.060	4	10
IQ24150HPw15XYZ	CSP1900-11-01-XXX-R32-L14	507EP72	508EP72	.040/.080	12	11
IQ24150HTW10XYZ-G	CSP1900-11-01-XXX-R32-L14	507EP72	508EP72	.040/.080	12	11
IQ24150QGw06XYZ	CSP2000-08-01-XXX-R32-L14	502EP55	503EP55	.040/.060	8	10
IQ24150QTW08XYZ	CSP2000-08-01-XXX-R32-L14	502EP55	503EP55	.040/.060	8	10
IQ24150SKw02XYZ	CSP1100-08-01-XXX-R32-L14	502EP55	503EP55	.040/.060	4	10
IQ24150SMw03XYZ	CSP1100-08-01-XXX-R32-L14	502EP55	503EP55	.040/.060	4	10
IQ24240HPw09XYZ	CSP1900-11-01-XXX-R32-L14	507EP72	508EP72	.040/.080	12	11
IQ24240HTW07XYZ-G	CSP1900-11-01-XXX-R32-L14	507EP72	508EP72	.040/.080	12	11
IQ24240QGw3FXYZ	CSP2000-08-01-XXX-R32-L14	502EP55	503EP55	.040/.060	8	10
IQ24240QTW05XYZ	CSP2000-08-01-XXX-R32-L14	502EP55	503EP55	.040/.060	8	10
IQ24280HEw14XYZ	CSP1900-08-02-XXX-R32-L14	507EP72	508EP72	.040/.080	1	9
IQ24280HPw08XYZ	CSP1900-11-01-XXX-R32-L14	507EP72	508EP72	.040/.080	12	11
IQ24280HTW06XYZ-G	CSP1900-11-01-XXX-R32-L14	507EP72	508EP72	.040/.080	12	11
IQ24280HZw18XYZ	CSP1900-10-01-XXX-R32-L14	507EP72	508EP72	.040/.080	9	11
IQ24300QGw03XYZ	CSP2000-08-01-XXX-R32-L14	502EP55	503EP55	.040/.060	8	10
IQ24300QMw02XYZ	CSP2000-08-01-XXX-R32-L14	502EP55	503EP55	.040/.060	8	10
IQ24300QTW04XYZ	CSP2000-08-01-XXX-R32-L14	502EP55	503EP55	.040/.060	8	10
IQ24400HPw5FXYZ	CSP1900-11-01-XXX-R32-L14	507EP72	508EP72	.040/.080	12	11
IQ24400HTW04XYZ-G	CSP1900-11-01-XXX-R32-L14	507EP72	508EP72	.040/.080	12	11
IQ24400HZw13XYZ	CSP1900-10-01-XXX-R32-L14	507EP72	508EP72	.040/.080	9	11
IQ24480HPw4FXYZ	CSP1900-11-01-XXX-R32-L14	507EP72	508EP72	.040/.080	12	11
IQ24480HTW03XYZ-G	CSP1900-11-01-XXX-R32-L14	507EP72	508EP72	.040/.080	12	11
IQ24480QGw11XYZ	CSP2000-08-01-XXX-R32-L14	502EP55	503EP55	.040/.060	8	10
IQ24480QMw01XYZ	CSP2000-08-01-XXX-R32-L14	502EP55	503EP55	.040/.060	8	10
IQ24480QTW2FXYZ	CSP2000-08-01-XXX-R32-L14	502EP55	503EP55	.040/.060	8	10

Heat sink socket available to reduce heat and noise. Contact Andon for details.

\*Andon does not guarantee the suitability of their products for the buyer's intended application. Only the buyer of such products assumes the responsibility of the product application.\*

©Copyright 2019 Andon Electronics Corporation. All Rights Reserved. This material is protected under US and other copyrights and may not be copied, sold, or redistributed in any form without written permission of Andon Electronics Corporation. Copyrights and trademarks are property of their respective companies. We reserve the right to change specifications without notice. Andon makes no warranty, expressed or implied, as to the suitability of the sockets for the intended purpose.

**"ANDON PROPRIETARY INFORMATION"**  
**RoHS Compliant**

\*Sockets are not drawn to scale SynQor 01/02/2019



SYNQOR						
SYNQOR Model Number	Andon Part Number Replace "XXX" with Terminal Type	Terminal Type		Pin Ø [in]	Figure Number	Page Number
		Thru-Hole	Surface Mount			
IQ24500HEw08XYZ	CSP1900-08-02-XXX-R32-L14	507EP72	508EP72	.040/.080	1	9
IQ24500HZw10XYZ	CSP1900-10-01-XXX-R32-L14	507EP72	508EP72	.040/.080	9	11
IQ24xxxSKXxxx	CSP1100-08-01-XXX-R32-L14	502EP55	503EP55	.040/.060	4	10
IQ24xxxSMXxxx	CSP1100-08-01-XXX-R32-L14	502EP55	503EP55	.040/.060	4	10
IQ2H280QTW05XYZ	CSP2000-08-01-XXX-R32-L14	502EP55	503EP55	.040/.060	8	10
IQ2H480QTW03XYZ	CSP2000-08-01-XXX-R32-L14	502EP55	503EP55	.040/.060	8	10
IQ32033QGw10XYZ	CSP2000-08-01-XXX-R32-L14	502EP55	503EP55	.040/.060	8	10
IQ32050QGw10XYZ	CSP2000-08-01-XXX-R32-L14	502EP55	503EP55	.040/.060	8	10
IQ32050QTW17XYZ	CSP2000-08-01-XXX-R32-L14	502EP55	503EP55	.040/.060	8	10
IQ32070QGw07XYZ	CSP2000-08-01-XXX-R32-L14	502EP55	503EP55	.040/.060	8	10
IQ32070QTW12XYZ	CSP2000-08-01-XXX-R32-L14	502EP55	503EP55	.040/.060	8	10
IQ32120HTw10NRS	CSP1900-08-02-XXX-R32-L14	507EP72	508EP72	.040/.080	1	9
IQ32120QGw04XYZ	CSP2000-08-01-XXX-R32-L14	502EP55	503EP55	.040/.060	8	10
IQ32120QTW07XYZ	CSP2000-08-01-XXX-R32-L14	502EP55	503EP55	.040/.060	8	10
IQ32150HPw11NRS	CSP1900-08-02-XXX-R32-L14	507EP72	508EP72	.040/.080	1	9
IQ32150HTw08NRS	CSP1900-08-02-XXX-R32-L14	507EP72	508EP72	.040/.080	1	9
IQ32150HZw17XYZ	CSP1900-10-01-XXX-R32-L14	507EP72	508EP72	.040/.080	9	11
IQ32150QGw03XYZ	CSP2000-08-01-XXX-R32-L14	502EP55	503EP55	.040/.060	8	10
IQ32150QTW06XYZ	CSP2000-08-01-XXX-R32-L14	502EP55	503EP55	.040/.060	8	10
IQ32240HPw6HNRS	CSP1900-08-02-XXX-R32-L14	507EP72	508EP72	.040/.080	1	9
IQ32240HTw05NRS	CSP1900-08-02-XXX-R32-L14	507EP72	508EP72	.040/.080	1	9
IQ32240HZw10XYZ	CSP1900-10-01-XXX-R32-L14	507EP72	508EP72	.040/.080	9	11
IQ32240QGw02XYZ	CSP2000-08-01-XXX-R32-L14	502EP55	503EP55	.040/.060	8	10
IQ32240QTW04XYZ	CSP2000-08-01-XXX-R32-L14	502EP55	503EP55	.040/.060	8	10
IQ32280HPw51NRS	CSP1900-08-02-XXX-R32-L14	507EP72	508EP72	.040/.080	1	9
IQ32280HTw05NRS	CSP1900-08-02-XXX-R32-L14	507EP72	508EP72	.040/.080	1	9
IQ32280HZw09XYZ	CSP1900-10-01-XXX-R32-L14	507EP72	508EP72	.040/.080	9	11
IQ32300QGw02XYZ	CSP2000-08-01-XXX-R32-L14	502EP55	503EP55	.040/.060	8	10
IQ32300QTW03XYZ	CSP2000-08-01-XXX-R32-L14	502EP55	503EP55	.040/.060	8	10
IQ32400HPw04NRS	CSP1900-08-02-XXX-R32-L14	507EP72	508EP72	.040/.080	1	9
IQ32400HTw03NRS	CSP1900-08-02-XXX-R32-L14	507EP72	508EP72	.040/.080	1	9
IQ32400HZw06XYZ	CSP1900-10-01-XXX-R32-L14	507EP72	508EP72	.040/.080	9	11
IQ32480HPw3ENRS	CSP1900-08-02-XXX-R32-L14	507EP72	508EP72	.040/.080	1	9
IQ32480HTw03NRS	CSP1900-08-02-XXX-R32-L14	507EP72	508EP72	.040/.080	1	9
IQ32480QGw01XYZ	CSP2000-08-01-XXX-R32-L14	502EP55	503EP55	.040/.060	8	10
IQ32480QTW02XYZ	CSP2000-08-01-XXX-R32-L14	502EP55	503EP55	.040/.060	8	10
IQ32500HZw05XYZ	CSP1900-10-01-XXX-R32-L14	507EP72	508EP72	.040/.080	9	11
IQ36015SKw16XYZ	CSP1100-08-01-XXX-R32-L14	502EP55	503EP55	.040/.060	4	10
IQ36018SKw14XYZ	CSP1100-08-01-XXX-R32-L14	502EP55	503EP55	.040/.060	4	10
IQ36025SKw10XYZ	CSP1100-08-01-XXX-R32-L14	502EP55	503EP55	.040/.060	4	10
IQ36033SKw08XYZ	CSP1100-08-01-XXX-R32-L14	502EP55	503EP55	.040/.060	4	10
IQ36033SMw15XYZ	CSP1100-08-01-XXX-R32-L14	502EP55	503EP55	.040/.060	4	10
IQ36050QGw18XYZ	CSP2000-08-01-XXX-R32-L14	502EP55	503EP55	.040/.060	8	10
IQ36050SKw05XYZ	CSP1100-08-01-XXX-R32-L14	502EP55	503EP55	.040/.060	4	10
IQ36050SMw10XYZ	CSP1100-08-01-XXX-R32-L14	502EP55	503EP55	.040/.060	4	10
IQ36070QGw13XYZ	CSP2000-08-01-XXX-R32-L14	502EP55	503EP55	.040/.060	8	10
IQ36070QTW17XYZ	CSP2000-08-01-XXX-R32-L14	502EP55	503EP55	.040/.060	8	10
IQ36070SKw04XYZ	CSP1100-08-01-XXX-R32-L14	502EP55	503EP55	.040/.060	4	10
IQ36070SMw07XYZ	CSP1100-08-01-XXX-R32-L14	502EP55	503EP55	.040/.060	4	10
IQ36120HPw18NRS	CSP1900-08-02-XXX-R32-L14	507EP72	508EP72	.040/.080	1	10
IQ36120HTw13NRS	CSP1900-08-02-XXX-R32-L14	507EP72	508EP72	.040/.080	1	9
IQ36120QGw08XYZ	CSP2000-08-01-XXX-R32-L14	502EP55	503EP55	.040/.060	8	10
IQ36120QTW10XYZ	CSP2000-08-01-XXX-R32-L14	502EP55	503EP55	.040/.060	8	10
IQ36120SKw02XYZ	CSP1100-08-01-XXX-R32-L14	502EP55	503EP55	.040/.060	4	10
IQ36120SMw04XYZ	CSP1100-08-01-XXX-R32-L14	502EP55	503EP55	.040/.060	4	10
IQ36150HPw14NRS	CSP1900-08-02-XXX-R32-L14	507EP72	508EP72	.040/.080	1	9
IQ36150HTw10NRS	CSP1900-08-02-XXX-R32-L14	507EP72	508EP72	.040/.080	1	9

Heat sink socket available to reduce heat and noise. Contact Andon for details.

\*Andon does not guarantee the suitability of their products for the buyer's intended application.  
Only the buyer of such products assumes the responsibility of the product application.\*

SYNQOR						
SYNQOR Model Number	Andon Part Number Replace "XXX" with Terminal Type	Terminal Type		Pin Ø [in]	Figure Number	Page Number
		Thru-Hole	Surface Mount			
IQ36150QGw06XYZ	CSP2000-08-01-XXX-R32-L14	502EP55	503EP55	.040/.060	8	10
IQ36150QTW08XYZ	CSP2000-08-01-XXX-R32-L14	502EP55	503EP55	.040/.060	8	10
IQ36150SKw02XYZ	CSP1100-08-01-XXX-R32-L14	502EP55	503EP55	.040/.060	4	10
IQ36150SMw03XYZ	CSP1100-08-01-XXX-R32-L14	502EP55	503EP55	.040/.060	4	10
IQ36240HPw09NRS	CSP1900-08-02-XXX-R32-L14	507EP72	508EP72	.040/.080	1	9
IQ36240HTW07NRS	CSP1900-08-02-XXX-R32-L14	507EP72	508EP72	.040/.080	1	9
IQ36240QGw3HXYZ	CSP2000-08-01-XXX-R32-L14	502EP55	503EP55	.040/.060	8	10
IQ36240QTW05XYZ	CSP2000-08-01-XXX-R32-L14	502EP55	503EP55	.040/.060	8	10
IQ36280HPw7FNRS	CSP1900-08-02-XXX-R32-L14	507EP72	508EP72	.040/.080	1	9
IQ36280HTW06NRS	CSP1900-08-02-XXX-R32-L14	507EP72	508EP72	.040/.080	1	9
IQ36300QGw03XYZ	CSP2000-08-01-XXX-R32-L14	502EP55	503EP55	.040/.060	8	10
IQ36300QTW04XYZ	CSP2000-08-01-XXX-R32-L14	502EP55	503EP55	.040/.060	8	10
IQ36400HPw5FNRS	CSP1900-08-02-XXX-R32-L14	507EP72	508EP72	.040/.080	1	9
IQ36400HTW04NRS	CSP1900-08-02-XXX-R32-L14	507EP72	508EP72	.040/.080	1	9
IQ36480HPw4FNRS	CSP1900-08-02-XXX-R32-L14	507EP72	508EP72	.040/.080	1	9
IQ36480HTW03NRS	CSP1900-08-02-XXX-R32-L14	507EP72	508EP72	.040/.080	1	9
IQ36480QGw02XYZ	CSP2000-08-01-XXX-R32-L14	502EP55	503EP55	.040/.060	8	10
IQ36480QTW2FXYZ	CSP2000-08-01-XXX-R32-L14	502EP55	503EP55	.040/.060	8	10
IQ36xxxSKXxx	CSP1100-08-01-XXX-R32-L14	502EP55	503EP55	.040/.060	4	10
IQ36xxxSMxxx	CSP1100-08-01-XXX-R32-L14	502EP55	503EP55	.040/.060	4	10
IQ48015SKw16XYZ	CSP1100-08-01-XXX-R32-L14	502EP55	503EP55	.040/.060	4	10
IQ48018SKw14XYZ	CSP1100-08-01-XXX-R32-L14	502EP55	503EP55	.040/.060	4	10
IQ48025SKw10XYZ	CSP1100-08-01-XXX-R32-L14	502EP55	503EP55	.040/.060	4	10
IQ48033SKw08XYZ	CSP1100-08-01-XXX-R32-L14	502EP55	503EP55	.040/.060	4	10
IQ48033SMw15XYZ	CSP1100-08-01-XXX-R32-L14	502EP55	503EP55	.040/.060	4	10
IQ48050QGw21XYZ	CSP2000-08-01-XXX-R32-L14	502EP55	503EP55	.040/.060	8	10
IQ48050SKw05XYZ	CSP1100-08-01-XXX-R32-L14	502EP55	503EP55	.040/.060	4	10
IQ48050SMw10XYZ	CSP1100-08-01-XXX-R32-L14	502EP55	503EP55	.040/.060	4	10
IQ48070QGw15XYZ	CSP2000-08-01-XXX-R32-L14	502EP55	503EP55	.040/.060	8	10
IQ48070SKw04XYZ	CSP1100-08-01-XXX-R32-L14	502EP55	503EP55	.040/.060	4	10
IQ48070SMw07XYZ	CSP1100-08-01-XXX-R32-L14	502EP55	503EP55	.040/.060	4	10
IQ48120HTW16XYZ	CSP1900-08-02-XXX-R32-L14	507EP72	508EP72	.040/.080	1	9
IQ48120QGw09XYZ	CSP2000-08-01-XXX-R32-L14	502EP55	503EP55	.040/.060	8	10
IQ48120QTW12XYZ	CSP1100-08-01-XXX-R32-L14	502EP55	503EP55	.040/.060	4	10
IQ48120SKw02XYZ	CSP1100-08-01-XXX-R32-L14	502EP55	503EP55	.040/.060	4	10
IQ48120SMw04XYZ	CSP1100-08-01-XXX-R32-L14	502EP55	503EP55	.040/.060	4	10
IQ48150HPx17NRS	CSP1900-11-01-XXX-R32-L14	507EP72	508EP72	.040/.080	12	11
IQ48150HTW13XYZ	CSP1900-08-02-XXX-R32-L14	507EP72	508EP72	.040/.080	1	9
IQ48150QGw07XYZ	CSP2000-08-01-XXX-R32-L14	502EP55	503EP55	.040/.060	8	10
IQ48150QTW10XYZ	CSP1100-08-01-XXX-R32-L14	502EP55	503EP55	.040/.060	4	10
IQ48150QTW10XYZ	CSP1100-08-01-XXX-R32-L14	502EP55	503EP55	.040/.060	4	10
IQ48150SKw02XYZ	CSP1100-08-01-XXX-R32-L14	502EP55	503EP55	.040/.060	4	10
IQ48150SMw03XYZ	CSP1100-08-01-XXX-R32-L14	502EP55	503EP55	.040/.060	4	10
IQ4815HPx17NRS	CSP1900-08-02-XXX-R32-L14	507EP72	508EP72	.040/.080	1	9
IQ48240HPx10NRS	CSP1900-11-01-XXX-R32-L14	507EP72	508EP72	.040/.080	12	11
IQ48240HTW08XYZ	CSP1900-08-02-XXX-R32-L14	507EP72	508EP72	.040/.080	1	9
IQ48240QGw05XYZ	CSP2000-08-01-XXX-R32-L14	502EP55	503EP55	.040/.060	8	10
IQ48240QTW06XYZ	CSP1100-08-01-XXX-R32-L14	502EP55	503EP55	.040/.060	4	10
IQ48280H0x09NRS	CSP1900-08-02-XXX-R32-L14	507EP72	508EP72	.040/.080	1	9
IQ48280HPx09NRS	CSP1900-11-01-XXX-R32-L14	507EP72	508EP72	.040/.080	12	11
IQ48280HTW07XYZ	CSP1900-08-02-XXX-R32-L14	507EP72	508EP72	.040/.080	1	9
IQ48300QGw04XYZ	CSP2000-08-01-XXX-R32-L14	502EP55	503EP55	.040/.060	8	10
IQ48300QTW05XYZ	CSP1100-08-01-XXX-R32-L14	502EP55	503EP55	.040/.060	4	10
IQ48400HPx6DNRS	CSP1900-08-02-XXX-R32-L14	507EP72	508EP72	.040/.080	1	9
IQ48400HTW05XYZ	CSP1900-08-02-XXX-R32-L14	507EP72	508EP72	.040/.080	1	9

Heat sink socket available to reduce heat and noise. Contact Andon for details.

\*Andon does not guarantee the suitability of their products for the buyer's intended application.  
Only the buyer of such products assumes the responsibility of the product application.\*

©Copyright 2019 Andon Electronics Corporation. All Rights Reserved. This material is protected under US and other copyrights and may not be copied, sold, or redistributed in any form without written permission of Andon Electronics Corporation. Copyrights and trademarks are property of their respective companies. We reserve the right to change specifications without notice. Andon makes no warranty, expressed or implied, as to the suitability of the sockets for the intended purpose.

**"ANDON PROPRIETARY INFORMATION"**  
**RoHS Compliant**

\*Sockets are not drawn to scale SynQor 01/02/2019

SYNQOR						
SYNQOR Model Number	Andon Part Number Replace "XXX" with Terminal Type	Terminal Type		Pin Ø [in]	Figure Number	Page Number
		Thru-Hole	Surface Mount			
IQ48400HZw15XYZ	CSP1900-10-01-XXX-R32-L14	507EP72	508EP72	.040/.080	9	11
IQ48480Gw02XYZ	CSP2000-08-01-XXX-R32-L14	502EP55	503EP55	.040/.060	8	10
IQ48480HPx5CNRS	CSP1900-08-02-XXX-R32-L14	507EP72	508EP72	.040/.080	1	9
IQ48480HTw04XYZ	CSP1900-08-02-XXX-R32-L14	507EP72	508EP72	.040/.080	1	9
IQ48480QGw02XYZ	CSP2000-08-01-XXX-R32-L14	502EP55	503EP55	.040/.060	8	10
IQ48480QTW03XYZ	CSP1100-08-01-XXX-R32-L14	502EP55	503EP55	.040/.060	4	10
IQ48500HZw12XYZ	CSP1900-10-01-XXX-R32-L14	507EP72	508EP72	.040/.080	9	11
IQ48xxxSKXxxx	CSP1100-08-01-XXX-R32-L14	502EP55	503EP55	.040/.060	4	10
IQ48xxxSMXxxx	CSP1100-08-01-XXX-R32-L14	502EP55	503EP55	.040/.060	4	10
IQ4H120QTW13XYZ	CSP2000-08-01-XXX-R32-L14	502EP55	503EP55	.040/.060	8	10
IQ4H150QTW10XYZ	CSP2000-08-01-XXX-R32-L14	502EP55	503EP55	.040/.060	8	10
IQ4H240HTW13XYZ	CSP1900-11-01-XXX-R32-L14	507EP72	508EP72	.040/.080	12	11
IQ4H240QTW06XYZ	CSP2000-08-01-XXX-R32-L14	502EP55	503EP55	.040/.060	8	10
IQ4H280HTW11XYZ	CSP1900-11-01-XXX-R32-L14	507EP72	508EP72	.040/.080	12	11
IQ4H280QTW05XYZ	CSP2000-08-01-XXX-R32-L14	502EP55	503EP55	.040/.060	8	10
IQ4H480HTW06XYZ	CSP1900-11-01-XXX-R32-L14	507EP72	508EP72	.040/.080	12	11
IQ4H480QTW03XYZ	CSP2000-08-01-XXX-R32-L14	502EP55	503EP55	.040/.060	8	10
IQ4HxxxFTXxxx	CSP4200-18-01-XXX-R32-L14	507EP72	508EP72	.040/.080	18	13
IQ4HxxxHTXxxx	CSP1900-11-01-XXX-R32-L14	507EP72	508EP72	.040/.080	12	11
IQ4HxxxQTXxxx	CSP2000-08-01-XXX-R32-L14	502EP55	503EP55	.040/.060	8	10
IQ500PFQTx04	CSP2000-06-01-XXX-R32-L14	502EP55	503EP55	.040/.060	10	11
IQ64033QGw15XYZ	CSP2000-08-01-XXX-R32-L14	502EP55	503EP55	.040/.060	8	10
IQ64050QGw10XYZ	CSP2000-08-01-XXX-R32-L14	502EP55	503EP55	.040/.060	8	10
IQ64070QGw07XYZ	CSP2000-08-01-XXX-R32-L14	502EP55	503EP55	.040/.060	8	10
IQ64070QTW14XYZ	CSP2000-08-01-XXX-R32-L14	502EP55	503EP55	.040/.060	8	10
IQ64120HPw16NRS	CSP1900-08-02-XXX-R32-L14	507EP72	508EP72	.040/.080	1	9
IQ64120QGw04XYZ	CSP2000-08-01-XXX-R32-L14	502EP55	503EP55	.040/.060	8	10
IQ64120QTW08XYZ	CSP2000-08-01-XXX-R32-L14	502EP55	503EP55	.040/.060	8	10
IQ64150HPw13NRS	CSP1900-08-02-XXX-R32-L14	507EP72	508EP72	.040/.080	1	9
IQ64150QGw03XYZ	CSP2000-08-01-XXX-R32-L14	502EP55	503EP55	.040/.060	8	10
IQ64150QTW07XYZ	CSP2000-08-01-XXX-R32-L14	502EP55	503EP55	.040/.060	8	10
IQ64240HPw08NRS	CSP1900-08-02-XXX-R32-L14	507EP72	508EP72	.040/.080	1	9
IQ64240QGw02XYZ	CSP2000-08-01-XXX-R32-L14	502EP55	503EP55	.040/.060	8	10
IQ64240QTW04XYZ	CSP2000-08-01-XXX-R32-L14	502EP55	503EP55	.040/.060	8	10
IQ64280HPw07NRS	CSP1900-08-02-XXX-R32-L14	507EP72	508EP72	.040/.080	1	9
IQ64300QGw02XYZ	CSP2000-08-01-XXX-R32-L14	502EP55	503EP55	.040/.060	8	10
IQ64300QTW03XYZ	CSP2000-08-01-XXX-R32-L14	502EP55	503EP55	.040/.060	8	10
IQ64400HPw05NRS	CSP1900-08-02-XXX-R32-L14	507EP72	508EP72	.040/.080	1	9
IQ64480HPw04NRS	CSP1900-08-02-XXX-R32-L14	507EP72	508EP72	.040/.080	1	9
IQ64480QGw01XYZ	CSP2000-08-01-XXX-R32-L14	502EP55	503EP55	.040/.060	8	10
IQ64480QTW02XYZ	CSP2000-08-01-XXX-R32-L14	502EP55	503EP55	.040/.060	8	10
IQ68050HGw11XYZ	CSP1900-08-02-XXX-R32-L14	507EP72	508EP72	.040/.080	1	9
IQ68050QMw05XYZ	CSP2000-08-01-XXX-R32-L14	502EP55	503EP55	.040/.060	8	10
IQ68120HGw04XYZ	CSP1900-08-02-XXX-R32-L14	507EP72	508EP72	.040/.080	1	9
IQ68120QMw02XYZ	CSP2000-08-01-XXX-R32-L14	502EP55	503EP55	.040/.060	8	10
IQ68240HGw02XYZ	CSP1900-08-02-XXX-R32-L14	507EP72	508EP72	.040/.080	1	9
IQ68240QMw01XYZ	CSP2000-08-01-XXX-R32-L14	502EP55	503EP55	.040/.060	8	10
IQ68480HGw01XYZ	CSP1900-08-02-XXX-R32-L14	507EP72	508EP72	.040/.080	1	9
IQ68480QMw01XYZ	CSP2000-08-01-XXX-R32-L14	502EP55	503EP55	.040/.060	8	10
IQ70018HPx60NRS	CSP1900-11-01-XXX-R32-L14	507EP72	508EP72	.040/.080	12	11
IQ70033HPx57NRS	CSP1900-08-02-XXX-R32-L14	507EP72	508EP72	.040/.080	1	9
IQ70070QTW18XYZ	CSP2000-08-01-XXX-R32-L14	502EP55	503EP55	.040/.060	8	10
IQ70120QTW11XYZ	CSP2000-08-01-XXX-R32-L14	502EP55	503EP55	.040/.060	8	10
IQ70150HPx16NRS	CSP1900-08-02-XXX-R32-L14	507EP72	508EP72	.040/.080	1	9
IQ70150QTW09XYZ	CSP2000-08-01-XXX-R32-L14	502EP55	503EP55	.040/.060	8	10

Heat sink socket available to reduce heat and noise. Contact Andon for details.

\*Andon does not guarantee the suitability of their products for the buyer's intended application.  
Only the buyer of such products assumes the responsibility of the product application.\*

©Copyright 2019 Andon Electronics Corporation. All Rights Reserved. This material is protected under US and other copyrights and may not be copied, sold, or redistributed in any form without written permission of Andon Electronics Corporation. Copyrights and trademarks are property of their respective companies. We reserve the right to change specifications without notice. Andon makes no warranty, expressed or implied, as to the suitability of the sockets for the intended purpose.

**"ANDON PROPRIETARY INFORMATION"**  
**RoHS Compliant**

\*Sockets are not drawn to scale SynQor 01/02/2019



SYNQOR						
SYNQOR Model Number	Andon Part Number Replace "XXX" with Terminal Type	Terminal Type		Pin Ø [in]	Figure Number	Page Number
		Thru-Hole	Surface Mount			
IQ70240HPx10NRS	CSP1900-11-01-XXX-R32-L14	507EP72	508EP72	.040/.080	12	11
IQ70240QTW06XYZ	CSP2000-08-01-XXX-R32-L14	502EP55	503EP55	.040/.060	8	10
IQ70280HPx8FNRS	CSP1900-11-01-XXX-R32-L14	507EP72	508EP72	.040/.080	12	11
IQ70300QTW04XYZ	CSP2000-08-01-XXX-R32-L14	502EP55	503EP55	.040/.060	8	10
IQ70400HPx06NRS	CSP1900-11-01-XXX-R32-L14	507EP72	508EP72	.040/.080	12	11
IQ70480HPx05NRS	CSP1900-11-01-XXX-R32-L14	507EP72	508EP72	.040/.080	12	11
IQ70480QTW03XYZ	CSP2000-08-01-XXX-R32-L14	502EP55	503EP55	.040/.060	8	10
IQ72070QGw15XYZ	CSP2000-08-01-XXX-R32-L14	502EP55	503EP55	.040/.060	8	10
IQ72120HPw21XYZ	CSP1900-11-01-XXX-R32-L14	507EP72	508EP72	.040/.080	12	11
IQ72120QGw09XYZ	CSP2000-08-01-XXX-R32-L14	502EP55	503EP55	.040/.060	8	10
IQ72120QTW12XYZ	CSP2000-08-01-XXX-R32-L14	502EP55	503EP55	.040/.060	8	10
IQ72150HPw17XYZ	CSP1900-08-02-XXX-R32-L14	507EP72	508EP72	.040/.080	1	9
IQ72150QGw07XYZ	CSP2000-08-01-XXX-R32-L14	502EP55	503EP55	.040/.060	8	10
IQ72150QTW10XYZ	CSP2000-08-01-XXX-R32-L14	502EP55	503EP55	.040/.060	8	10
IQ72240HPw10XYZ	CSP1900-08-02-XXX-R32-L14	507EP72	508EP72	.040/.080	1	9
IQ72240QGw05XYZ	CSP2000-08-01-XXX-R32-L14	502EP55	503EP55	.040/.060	8	10
IQ72240QTW06XYZ	CSP2000-08-01-XXX-R32-L14	502EP55	503EP55	.040/.060	8	10
IQ72280HPw09XYZ	CSP1900-11-01-XXX-R32-L14	507EP72	508EP72	.040/.080	12	11
IQ72300QGw04XYZ	CSP2000-08-01-XXX-R32-L14	502EP55	503EP55	.040/.060	8	10
IQ72300QTW05XYZ	CSP2000-08-01-XXX-R32-L14	502EP55	503EP55	.040/.060	8	10
IQ72400HPw06XYZ	CSP1900-11-01-XXX-R32-L14	507EP72	508EP72	.040/.080	12	11
IQ72480HPw05XYZ	CSP1900-11-01-XXX-R32-L14	507EP72	508EP72	.040/.080	12	11
IQ72480QGw02XYZ	CSP2000-08-01-XXX-R32-L14	502EP55	503EP55	.040/.060	8	10
IQ72480QTW03XYZ	CSP2000-08-01-XXX-R32-L14	502EP55	503EP55	.040/.060	8	10
IQ90033QMw15XYZ	CSP2000-08-01-XXX-R32-L14	502EP55	503EP55	.040/.060	8	10
IQ90050QGw17XYZ	CSP2000-08-01-XXX-R32-L14	502EP55	503EP55	.040/.060	8	10
IQ90050QMw10XYZ	CSP2000-08-01-XXX-R32-L14	502EP55	503EP55	.040/.060	8	10
IQ90070QGw12XYZ	CSP2000-08-01-XXX-R32-L14	502EP55	503EP55	.040/.060	8	10
IQ90070QMw07XYZ	CSP2000-08-01-XXX-R32-L14	502EP55	503EP55	.040/.060	8	10
IQ90070QTW17XYZ	CSP2000-08-01-XXX-R32-L14	502EP55	503EP55	.040/.060	8	10
IQ90120QGw07XYZ	CSP2000-08-01-XXX-R32-L14	502EP55	503EP55	.040/.060	8	10
IQ90120QMw04XYZ	CSP2000-08-01-XXX-R32-L14	502EP55	503EP55	.040/.060	8	10
IQ90120QTW10XYZ	CSP2000-08-01-XXX-R32-L14	502EP55	503EP55	.040/.060	8	10
IQ90150HPw15XYZ	CSP1900-08-02-XXX-R32-L14	507EP72	508EP72	.040/.080	1	9
IQ90150QGw06XYZ	CSP2000-08-01-XXX-R32-L14	502EP55	503EP55	.040/.060	8	10
IQ90150QMw03XYZ	CSP2000-08-01-XXX-R32-L14	502EP55	503EP55	.040/.060	8	10
IQ90150QTW08XYZ	CSP2000-08-01-XXX-R32-L14	502EP55	503EP55	.040/.060	8	10
IQ90240HPw9FXYZ	CSP1900-08-02-XXX-R32-L14	507EP72	508EP72	.040/.080	1	9
IQ90240QGw04XYZ	CSP2000-08-01-XXX-R32-L14	502EP55	503EP55	.040/.060	8	10
IQ90240QMw02XYZ	CSP2000-08-01-XXX-R32-L14	502EP55	503EP55	.040/.060	8	10
IQ90240QTW05XYZ	CSP2000-08-01-XXX-R32-L14	502EP55	503EP55	.040/.060	8	10
IQ90280HPw08XYZ	CSP1900-08-02-XXX-R32-L14	507EP72	508EP72	.040/.080	1	9
IQ90300QGw03XYZ	CSP2000-08-01-XXX-R32-L14	502EP55	503EP55	.040/.060	8	10
IQ90300QMw02XYZ	CSP2000-08-01-XXX-R32-L14	502EP55	503EP55	.040/.060	8	10
IQ90300QTW04XYZ	CSP2000-08-01-XXX-R32-L14	502EP55	503EP55	.040/.060	8	10
IQ90400HPw5HXYZ	CSP1900-08-02-XXX-R32-L14	507EP72	508EP72	.040/.080	1	9
IQ90480HPw4GXYZ	CSP1900-08-02-XXX-R32-L14	507EP72	508EP72	.040/.080	1	9
IQ90480QGw02XYZ	CSP2000-08-01-XXX-R32-L14	502EP55	503EP55	.040/.060	8	10
IQ90480QMw01XYZ	CSP2000-08-01-XXX-R32-L14	502EP55	503EP55	.040/.060	8	10
IQ90480QTW03XYZ	CSP2000-08-01-XXX-R32-L14	502EP55	503EP55	.040/.060	8	10
MACF-115-3PH-UNV-HT	CSP1900-07-09-XXX-R32-L14	507EP72	508EP72	.040/.080	17	12
MACF-115-3PH-UNVD-QT	CSP2000-06-01-XXX-R32-L14	502EP55	503EP55	.040/.060	10	11
MACF-U-230-ET	CSP2000-05-04-XXX-R32-L14	433E	285E	.040	14	12
MACF-xxx-230-HT	C10-1930-05-01-XXX-R32-L14	433E	285E	.040	11	11

Heat sink socket available to reduce heat and noise. Contact Andon for details.

\*Andon does not guarantee the suitability of their products for the buyer's intended application.  
Only the buyer of such products assumes the responsibility of the product application.\*



SYNQOR						
SYNQOR Model Number	Andon Part Number Replace "XXX" with Terminal Type	Terminal Type		Pin Ø [in]	Figure Number	Page Number
		Terminal Type	Surface Mount			
MCOTS-C-28-05-SM	CSP1100-08-01-XXX-R32-L14	502EP55	503EP55	.040/.060	4	10
MCOTS-C-28-07-SM	CSP1100-08-01-XXX-R32-L14	502EP55	503EP55	.040/.060	4	10
MCOTS-C-28-12-QE-F-S	CSP2000-08-01-XXX-R32-L14	502EP55	503EP55	.040/.060	8	10
MCOTS-C-28-12-SM	CSP1100-08-01-XXX-R32-L14	502EP55	503EP55	.040/.060	4	10
MCOTS-C-28-1R2-SM	CSP1100-08-01-XXX-R32-L14	502EP55	503EP55	.040/.060	4	10
MCOTS-C-28-2R5-SM	CSP1100-08-01-XXX-R32-L14	502EP55	503EP55	.040/.060	4	10
MCOTS-C-28-3R3-SM	CSP1100-08-01-XXX-R32-L14	502EP55	503EP55	.040/.060	4	10
MCOTS-C-48-05-SM	CSP1100-08-01-XXX-R32-L14	502EP55	503EP55	.040/.060	4	10
MCOTS-C-48-07-SM	CSP1100-08-01-XXX-R32-L14	502EP55	503EP55	.040/.060	4	10
MCOTS-C-48-12-SM	CSP1100-08-01-XXX-R32-L14	502EP55	503EP55	.040/.060	4	10
MCOTS-C-48-15-SM	CSP1100-08-01-XXX-R32-L14	502EP55	503EP55	.040/.060	4	10
MCOTS-C-48-1R2-SM	CSP1100-08-01-XXX-R32-L14	502EP55	503EP55	.040/.060	4	10
MCOTS-C-48-1R5-SM	CSP1100-08-01-XXX-R32-L14	502EP55	503EP55	.040/.060	4	10
MCOTS-C-48-1R8-SM	CSP1100-08-01-XXX-R32-L14	502EP55	503EP55	.040/.060	4	10
MCOTS-C-48-2R5-SM	CSP1100-08-01-XXX-R32-L14	502EP55	503EP55	.040/.060	4	10
MCOTS-C-48-3R3-SM	CSP1100-08-01-XXX-R32-L14	502EP55	503EP55	.040/.060	4	10
MCOTS-F-28-T-HT-F-S	CSP1900-11-01-XXX-R32-L14	507EP72	508EP72	.040/.080	12	11
MCOTS-N-28V-60-EP	CSP2000-08-01-XXX-R32-L14	502EP55	503EP55	.040/.060	8	10
MCOTS-N-28V-60-HG	CSP1900-11-01-XXX-R32-L14	507EP72	508EP72	.040/.060	12	11
MCOTS-N-28V-60-QT	CSP2000-08-01-XXX-R32-L14	502EP55	503EP55	.040/.060	8	10
MCOTS-N-28VE-90-EP	CSP2000-08-01-XXX-R32-L14	502EP55	503EP55	.040/.060	8	10
MCOTS-N-28VE-90-HG	CSP1900-11-01-XXX-R32-L14	507EP72	508EP72	.040/.060	12	10
MCOTS-N-28VE-90-QT	CSP2000-08-01-XXX-R32-L14	502EP55	503EP55	.040/.060	8	10
MPFC-115-3PH-270-FP	CSP4200-17-01-XXX-R32-L14	533VEP72	534VEP72	.040/.080	19	13
MPFC-115-270-HP	CSP1900-10-01-XXX-R32-L14	507EP72	508EP72	.040/.080	9	11
MPFC-115-270-QP	CSP2000-07-06-XXX-R32-L14	502EP55	503EP55	.040/.060	15	12
MPFC-U-390-HP	CSP1900-10-01-XXX-R32-L14	507EP72	508EP72	.040/.080	9	11
MPFC-U-390-QP	CSP2000-07-06-XXX-R32-L14	502EP55	503EP55	.040/.060	15	12
MPFIC-U-12-HT	CSP1900-10-08-XXX-R32-L14	502EP55	503EP55	.040/.060	16	12
MPFIC-U-24-HT	CSP1900-10-08-XXX-R32-L14	502EP55	503EP55	.040/.060	16	12
MPFIC-U-28-HT	CSP1900-10-08-XXX-R32-L14	502EP55	503EP55	.040/.060	16	12
MPFIC-U-48-HT	CSP1900-10-08-XXX-R32-L14	502EP55	503EP55	.040/.060	16	12
MQBL-CASE F	CSP1200-12-01-XXX-R32-L14	433E	285E	.040	3	10
MQBL-CASE S	CSP1200-12-01-XXX-R32-L14	433E	285E	.040	3	10
MQBL-CASE X	CSP1200-12-01-XXX-R32-L14	433E	285E	.040	3	10
MQBL-CASE Y	CSP1200-12-01-XXX-R32-L14	433E	285E	.040	3	10
MQBL-CASE Z	CSP1200-12-01-XXX-R32-L14	433E	285E	.040	3	10
MQFL-270-28S CASE U	C20-2816-16-01-XXX-R32-L14	433E	285E	.040	6	10
MQFL-270-28S CASE X	C20-2816-16-01-XXX-R32-L14	433E	285E	.040	6	10
MQFL-CASE W	C20-2816-16-01-XXX-R32-L14	433E	285E	.040	6	10
MQFL-CASE Y	(2) C20-006-06-01-XXX-R32-L14	433E	285E	.040	5	10
MQFL-CASE Z	C20-2816-16-01-XXX-R32-L14	433E	285E	.040	6	10
MQSA-28-05S	C20-810-10-01-XXX-R32-L14	295V	439V	.030	7	10
NQ04T33VKA10	C10-20-12-01-XXX-R32-L14	295V	-439V	.040/.060	2	9
NQ04T33VMA16	C10-20-12-01-XXX-R32-L14	295V	-439V	.040/.060	2	9
NQ04W33xKA10	C10-20-12-01-XXX-R32-L14	295V	-439V	.040/.060	13	12
NQ04W33xMA16	C10-20-12-01-XXX-R32-L14	295V	-439V	.040/.060	13	12
NQ20x20EGx10	CSP2000-08-01-XXX-R32-L14	502EP55	503EP55	.040/.060	8	10
NQ20x20ETx20	CSP2000-08-01-XXX-R32-L14	502EP55	503EP55	.040/.060	8	10
NQ20x20QGx40	CSP2000-08-01-XXX-R32-L14	502EP55	503EP55	.040/.060	8	10
NQ60W60EPx15	CSP2000-08-01-XXX-R32-L14	502EP55	503EP55	.040/.060	8	10
NQ60W60HGx40	CSP1900-11-01-XXX-R32-L14	507EP72	508EP72	.040/.060	12	11
NQ60W60QTx25	CSP2000-08-01-XXX-R32-L14	502EP55	503EP55	.040/.060	8	10

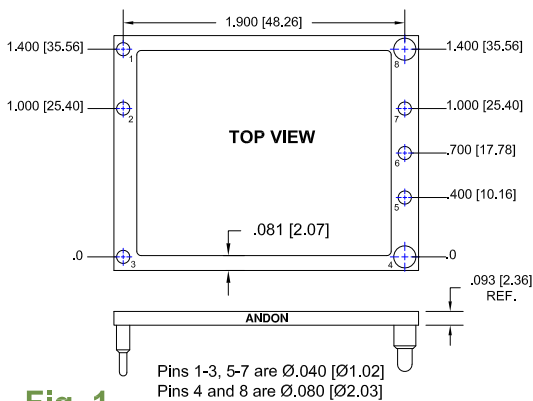
Heat sink socket available to reduce heat and noise. Contact Andon for details.

\*Andon does not guarantee the suitability of their products for the buyer's intended application.  
Only the buyer of such products assumes the responsibility of the product application.\*

SYNQOR						
SYNQOR Model Number	Andon Part Number Replace "XXX" with Terminal Type	Terminal Type		Pin Ø [in]	Figure Number	Page Number
		Terminal Type	Surface Mount			
NQ60x60EGx05	CSP2000-08-01-XXX-R32-L14	502EP55	503EP55	.040/.060	8	10
NQ60x60ETx10	CSP2000-08-01-XXX-R32-L14	502EP55	503EP55	.040/.060	8	10
NQ60x60QGx20	CSP2000-08-01-XXX-R32-L14	502EP55	503EP55	.040/.060	8	10
NQ90W90EPx10	CSP2000-08-01-XXX-R32-L14	502EP55	503EP55	.040/.060	8	10
NQ90W90HGx26	CSP1900-11-01-XXX-R32-L14	507EP72	508EP72	.040/.060	12	11
NQ90W90QTx18	CSP2000-08-01-XXX-R32-L14	502EP55	503EP55	.040/.060	8	10
PFCU390HPx07	CSP1900-10-08-XXX-R32-L14	507EP72	508EP72	.040/.080	9	11
PFCU390QPx04	CSP2000-07-06-XXX-R32-L14	502EP55	503EP55	.040/.060	15	12
PFICU12HTx27	CSP1900-10-08-XXX-R32-L14	502EP55	503EP55	.040/.060	16	12
PFICU24HTx14	CSP1900-10-08-XXX-R32-L14	502EP55	503EP55	.040/.060	16	12
PFICU28HTx12	CSP1900-10-08-XXX-R32-L14	502EP55	503EP55	.040/.060	16	12
PFICU48HTx07	CSP1900-10-08-XXX-R32-L14	502EP55	503EP55	.040/.060	16	12
RQ1BxxxHEXxx	CSP1900-11-01-XXX-R32-L14	507EP72	508EP72	.040/.060	12	11
RQ1BxxxHPXxx	CSP1900-08-02-XXX-R32-L14	507EP72	508EP72	.040/.080	1	9
RQ1BxxxQGXxx	CSP2000-08-01-XXX-R32-L14	502EP55	503EP55	.040/.080	8	10
RQ1BxxxQMXxx	CSP2000-08-01-XXX-R32-L14	502EP55	503EP55	.040/.080	8	10
RQ1BxxxQTXxx	CSP2000-08-01-XXX-R32-L14	502EP55	503EP55	.040/.080	8	10

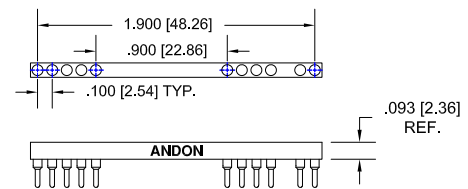
Heat sink socket available to reduce heat and noise. Contact Andon for details.

"Andon does not guarantee the suitability of their products for the buyer's intended application. Only the buyer of such products assumes the responsibility of the product application."



**Fig. 1**

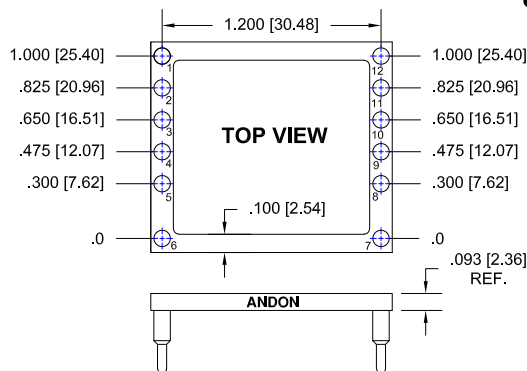
Thru-Hole: CSP1900-08-02-507EP72-R32-L14  
Surface Mount: CSP1900-08-02-508EP72-R32-L14



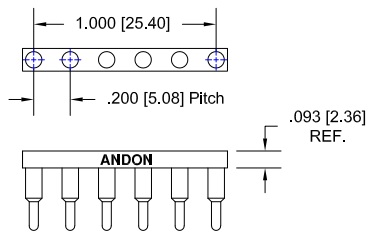
**Fig. 2**

Thru-Hole: C10-20-11-01-295V-R32-L14  
Surface Mount: C10-20-11-01-439V-R32-L14

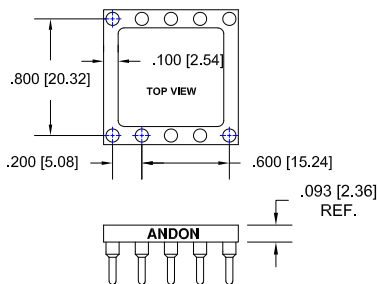
## SynQor Continued Top View Shown Units: in [mm]



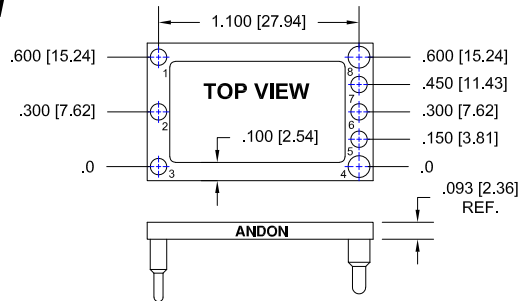
**Fig. 3**  
Thru-Hole: CSP1200-12-01-433E-R32-L14  
Surface Mount: CSP1200-12-01-285E-R32-L14



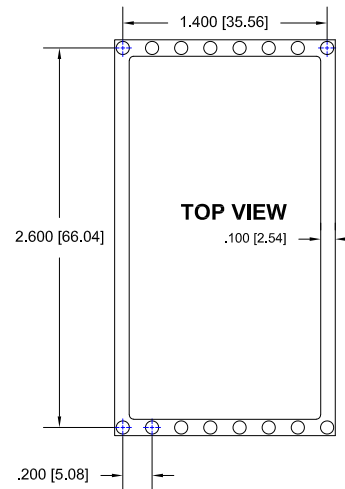
**Fig. 5**  
Thru-Hole: (2) C20-006-06-01-433E-R32-L14  
Surface Mount: (2) C20-006-06-01-285E-R32-L14



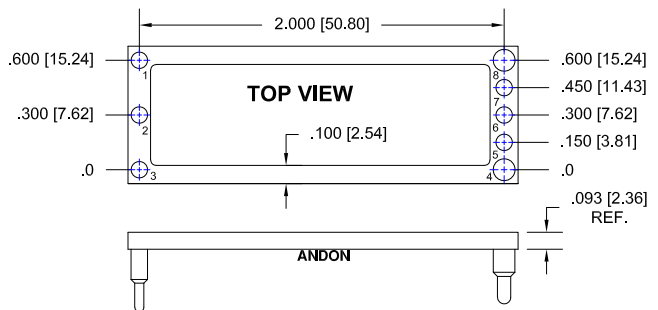
**Fig. 7**  
Thru-Hole: C20-810-10-01-295V-R32-L14  
Surface Mount: C20-810-10-01-439V-R32-L14



**Fig. 4**  
Pins 1-3, 5-7 are  $\varnothing$ .040 [ $\varnothing$ 1.02]  
Pins 4 and 8 are  $\varnothing$ .062 [ $\varnothing$ 1.57]  
Thru-Hole: CSP1100-08-01-502EP55-R32-L14  
Surface Mount: CSP1100-08-01-503EP55-R32-L14



**Fig. 6**  
Thru-Hole: C20-2816-16-01-433E-R32-L14  
Surface Mount: C20-2816-16-01-285E-R32-L14

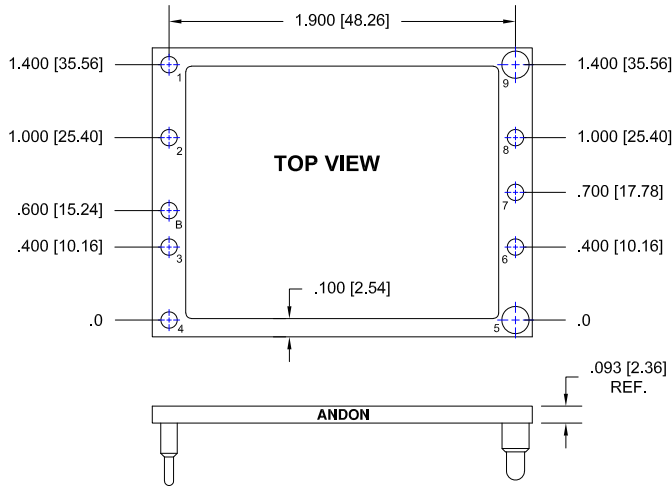


**Fig. 8**  
Pins 1-3, 5-7 are  $\varnothing$ .040 [ $\varnothing$ 1.02]  
Pins 4 and 8 are  $\varnothing$ .062 [ $\varnothing$ 1.57]  
Thru-Hole: CSP2000-08-01-502EP55-R32-L14  
Surface Mount: CSP2000-08-01-503EP55-R32-L14

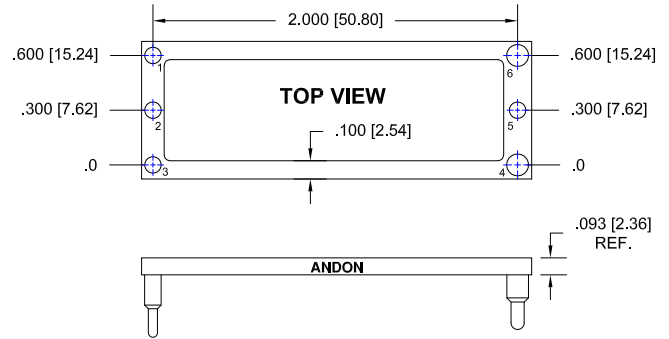
Heat sink socket available to reduce heat and noise. Contact Andon for details.

"Andon does not guarantee the suitability of their products for the buyer's intended application.  
Only the buyer of such products assumes the responsibility of the product application."

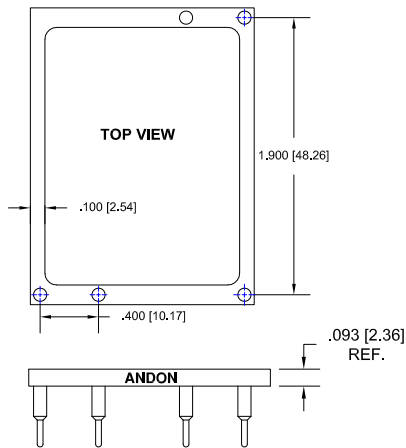
**SynQor Continued**  
**Top View Shown**  
**Units: in [mm]**



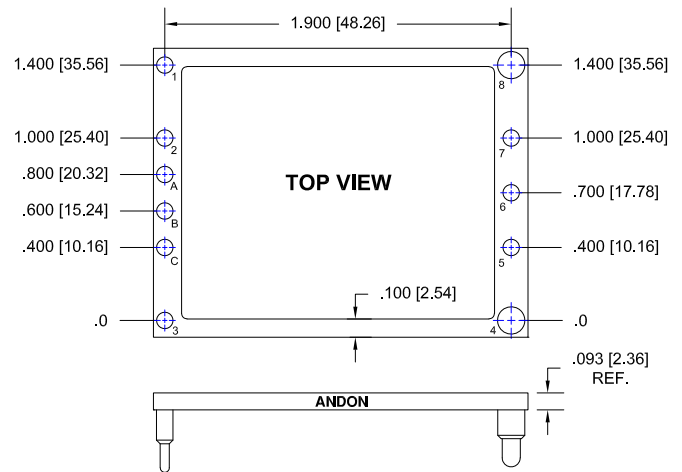
**Fig. 9**  
Pins 1-4, 6-8, and B are  $\varnothing.040$  [ $\varnothing1.02$ ]  
Pins 5 and 9 are  $\varnothing.080$  [ $\varnothing2.03$ ]  
**Thru-Hole: CSP1900-10-01-507EP72-R32-L14**  
**Surface Mount: CSP1900-10-01-508EP72-R32-L14**



**Fig. 10**  
Pins 1-3, and 5 are  $\varnothing.040$  [ $\varnothing1.02$ ]  
Pins 4 & 6 are  $\varnothing.062$  [ $\varnothing1.57$ ]  
**Thru-Hole: CSP2000-06-01-502EP55-R32-L14**  
**Surface Mount: CSP2000-06-01-503EP55-R32-L14**



**Fig. 11**  
**Thru-Hole: C10-1930-05-01-433E-R32-L14**  
**Surface Mount: C10-1930-05-01-285E-R32-L14**



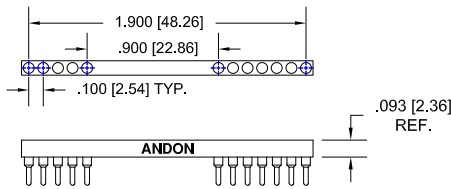
**Fig. 12**  
Pins 1-3, 5-7, A, B, and C are  $\varnothing.040$  [ $\varnothing1.02$ ]  
Pins 4 and 8 are  $\varnothing.080$  [ $\varnothing2.03$ ]  
**Thru-Hole: CSP1900-11-01-507EP72-R32-L14**  
**Surface Mount: CSP1900-11-01-508EP72-R32-L14**

Heat sink socket available to reduce heat and noise. Contact Andon for details.

"Andon does not guarantee the suitability of their products for the buyer's intended application.  
Only the buyer of such products assumes the responsibility of the product application."

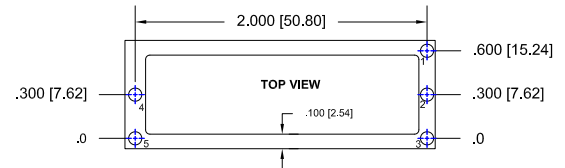


**SynQor Continued**  
**Top View Shown**  
**Units: in [mm]**



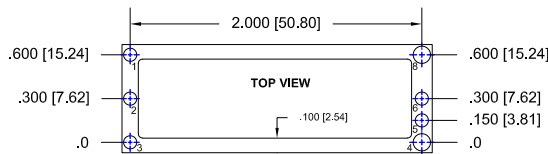
**Fig. 13**

**Thru-Hole:** C10-20-12-01-441V-R32-L14  
**Surface Mount:** C10-20-12-01-442V-R32-L14



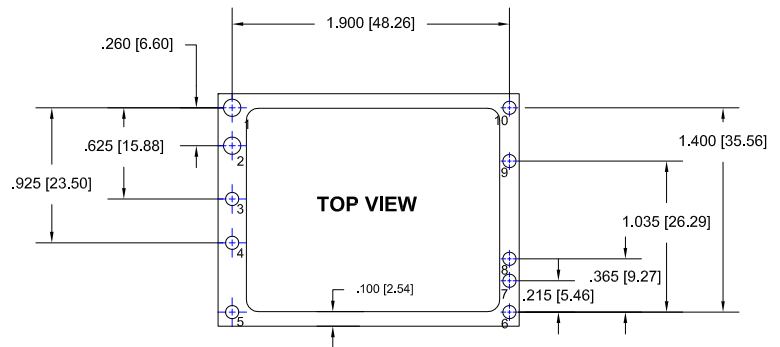
**Fig. 14**

**Thru-Hole:** CSP2000-05-04-433E-R32-L14  
**Surface Mount:** CSP2000-05-04-285E-R32-L14



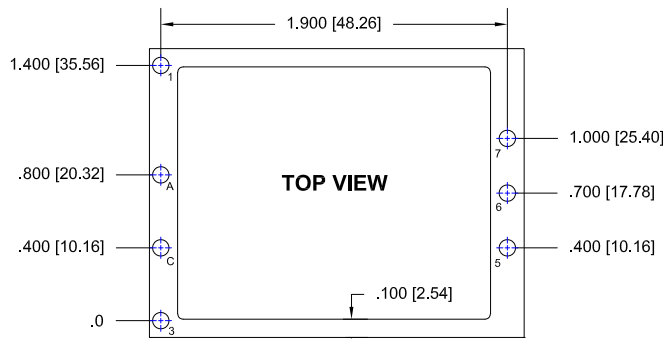
**Fig. 15**

**Thru-Hole:** CSP2000-07-06-502EP55-R32-L14  
**Surface Mount:** CSP2000-07-06-503EP55-R32-L14



**Fig. 16**

**Thru-Hole:** CSP1900-10-08-502EP55-R32-L14  
**Surface Mount:** CSP1900-10-08-503EP55-R32-L14



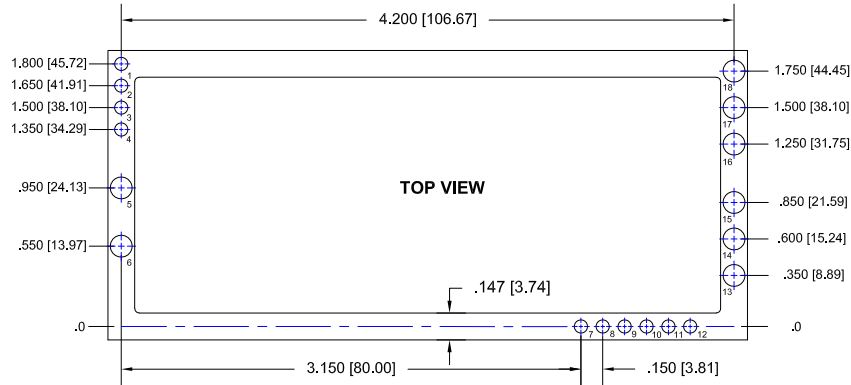
**Fig. 17**

**Thru-Hole:** CSP1900-07-09-507EP72-R32-L14  
**Surface Mount:** CSP1900-07-09-508EP72-R32-L14

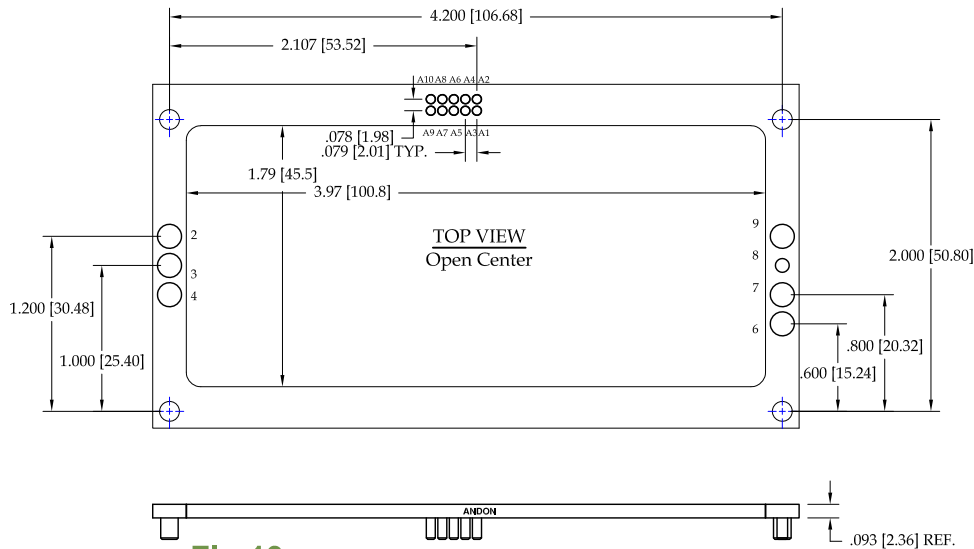
Heat sink socket available to reduce heat and noise. Contact Andon for details.

"Andon does not guarantee the suitability of their products for the buyer's intended application.  
Only the buyer of such products assumes the responsibility of the product application."

**SynQor Continued**  
**Top View Shown**  
Units: in [mm]



**Fig.18** Pins 1-4, 7-12 are  $\varnothing.040$  [ $\varnothing1.02$ ]  
Pins 5-6, 13-18 are  $\varnothing.080$  [ $\varnothing2.03$ ]  
**Thru-Hole:** CSP4200-18-01-507EP72-R32-L14  
**Surface Mount:** CSP4200-18-01-508EP72-R32-L14



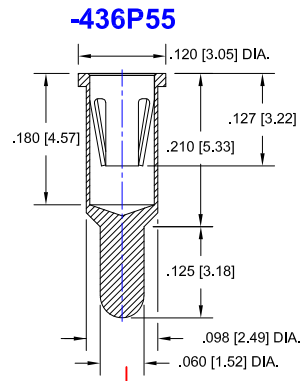
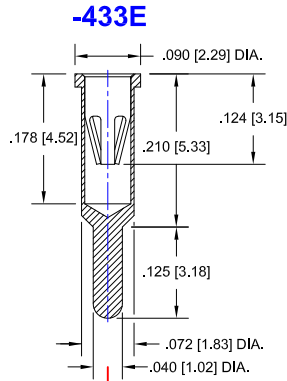
**Fig.19** **Thru-Hole:** CSP4200-17-01-533VEP72-R32-L14  
**Surface Mount:** CSP4200-17-01-534VEP72-R32-L14

Heat sink socket available to reduce heat and noise. Contact Andon for details.

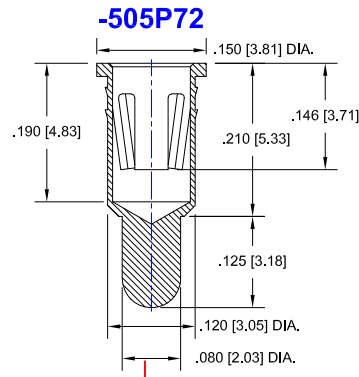
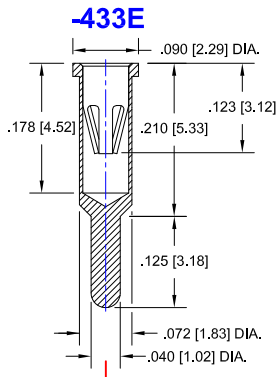
"Andon does not guarantee the suitability of their products for the buyer's intended application.  
Only the buyer of such products assumes the responsibility of the product application."

**SynQor Continued**  
**Socket Terminal Details**  
**Cross Section View Shown Units: in [mm]**  
Other Terminal Layouts and Configurations available

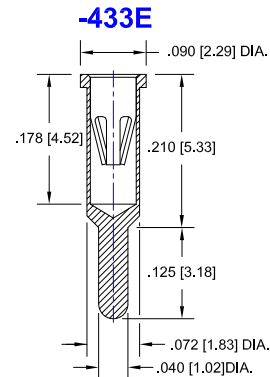
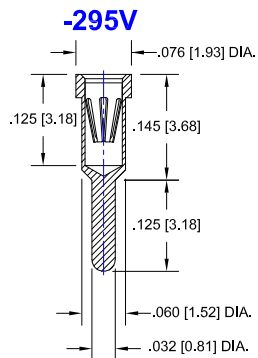
**THRU HOLE OPTION**



**-502EP55**



**-507EP72**

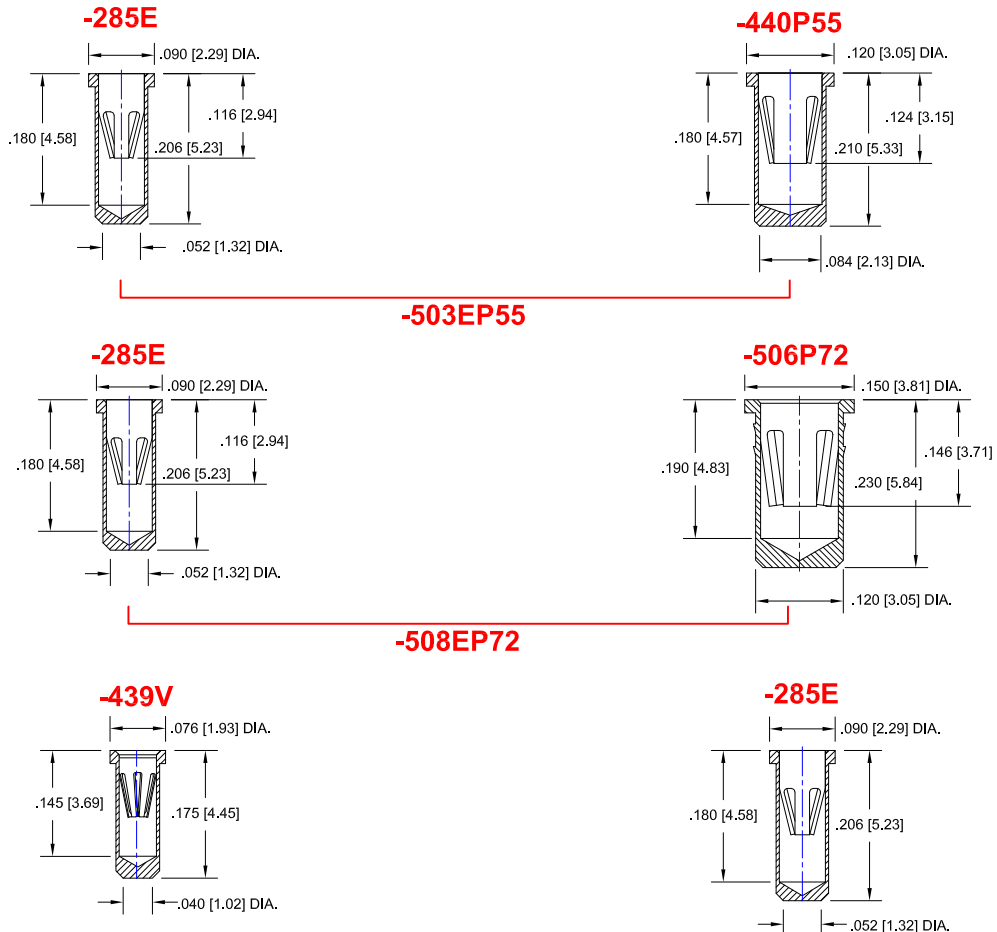


Heat sink socket available to reduce heat and noise. Contact Andon for details.

"Andon does not guarantee the suitability of their products for the buyer's intended application.  
Only the buyer of such products assumes the responsibility of the product application."

**SynQor Continued**  
**Socket Terminal Details**  
**Cross Section View Shown Units: in [mm]**  
 Other Terminal Layouts and Configurations available

## SURFACE MOUNT OPTION



## Technical Information

### Material:

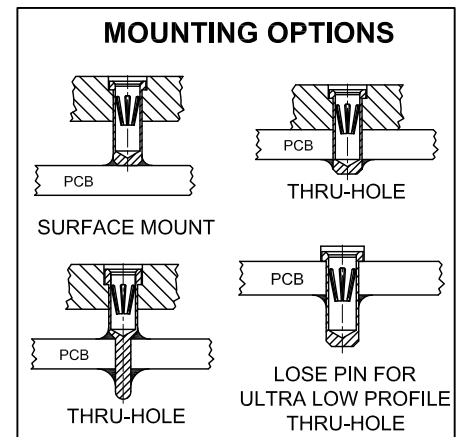
Insulator: Hi-Temp UL 94V-O  
 Terminal: Brass, per ASTM-B16  
 Contact: BeCu, Per ASTM-B194

**Plating: RoHS COMPLIANT**

**R32 TERMINAL: MATTE TIN / CONTACT: TIN**

**OTHER PLATINGS AVAILABLE**

Terminal Acceptance and Forces							
Thru Hole Terminals				Surface Mount Terminals			
Thru Hole Terminal	Accepts Pin Diameter	Insertion Force	Withdrawal Force	Surface Mount Terminal	Accepts Pin Diameter	Insertion Force	Withdrawal Force
<b>-436P55</b>	Ø.060 [Ø1.52]	15.52 oz Max	2.11 oz Min	<b>-440P55</b>	Ø.060 [Ø1.52]	15.52 oz Max	2.11 oz Min
<b>-433E</b>	Ø.040 [Ø1.02]	36.00 oz Max	3.88 oz Min	<b>-285E</b>	Ø.040 [Ø1.02]	36.00 oz Max	3.88 oz Min
<b>-505P72</b>	Ø.080 [Ø2.03]	48.00 oz Max	8.00 oz Min	<b>-506P72</b>	Ø.080 [Ø2.03]	48.00 oz Max	8.00 oz Min
<b>-295V</b>	Ø.030 [Ø0.76]	13.23 oz Max	3.53 oz Min	<b>-439V</b>	Ø.030 [Ø0.76]	13.23 oz Max	3.53 oz Min



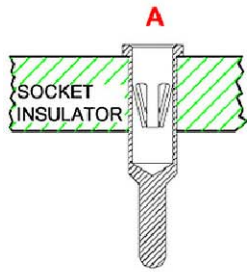
©Copyright 2019 Andon Electronics Corporation. All Rights Reserved. This material is protected under US and other copyrights and may not be copied, sold, or redistributed in any form without written permission of Andon Electronics Corporation. Copyrights and trademarks are property of their respective companies. We reserve the right to change specifications without notice. Andon makes no warranty, expressed or implied, as to the suitability of the sockets for the intended purpose.

**"ANDON PROPRIETARY INFORMATION"**  
**RoHS Compliant**

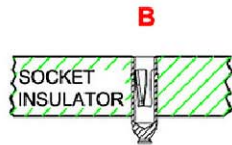
\*Sockets are not drawn to scale SynQor 01/02/2019



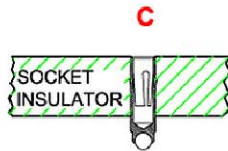
## Mounting Options



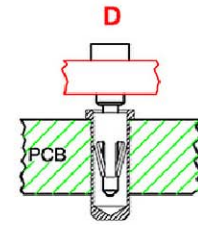
**THRU-HOLE**



**SMD-FLAT FOOT**



**ROLLERBALL**



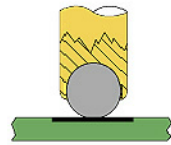
PCB FOR THRU-HOLE  
INSULATOR FOR SMD

**CARRIER  
WITH OR WITHOUT  
SOLDER  
WASHER**



**PIN SOCKET  
BULK  
WITH OR WITHOUT  
SOLDER  
WASHER**

### ROLLERBALL<sup>®</sup> SOCKET



**BEFORE SOLDERING**

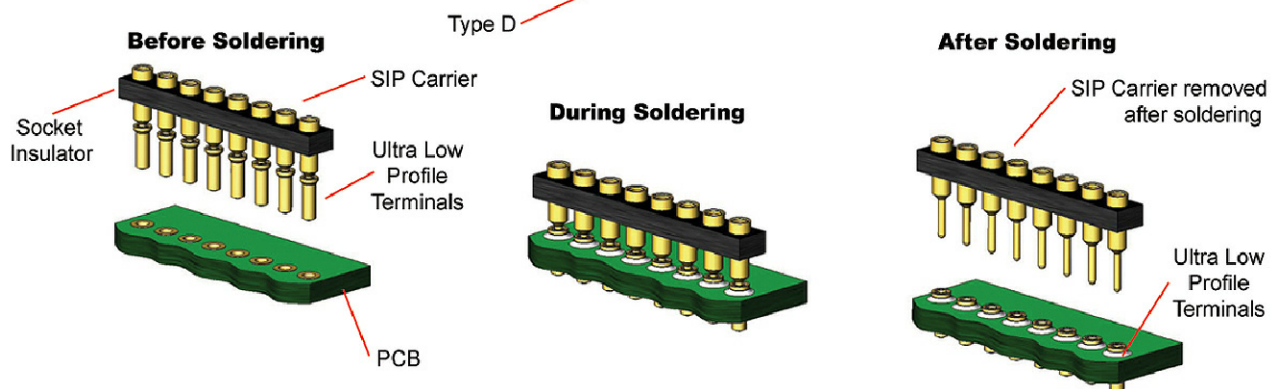
### ROLLERBALL<sup>®</sup> SOCKET



**AFTER SOLDERING**

U.S. PATENT # 6,352,437  
CANADIAN PATENT # 2,388,520

## ULTRA LOW PROFILE SIP/DIP/PGA CARRIER ASSEMBLY



Available with or without solder washer